

BIONICLE®

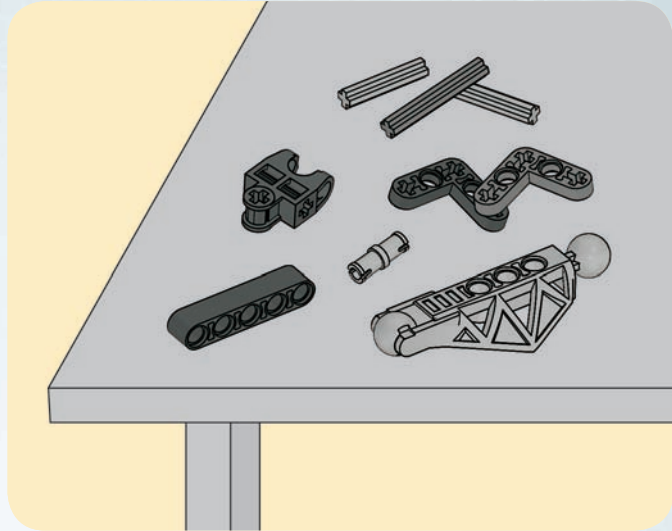
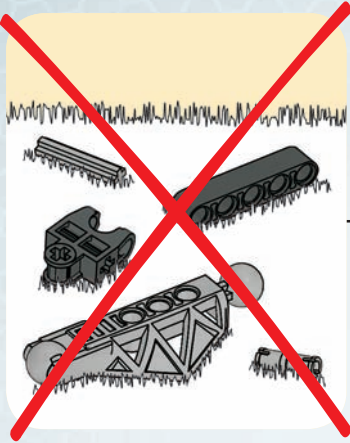
ΤΟ Α ΙΓΝΙΚΑ



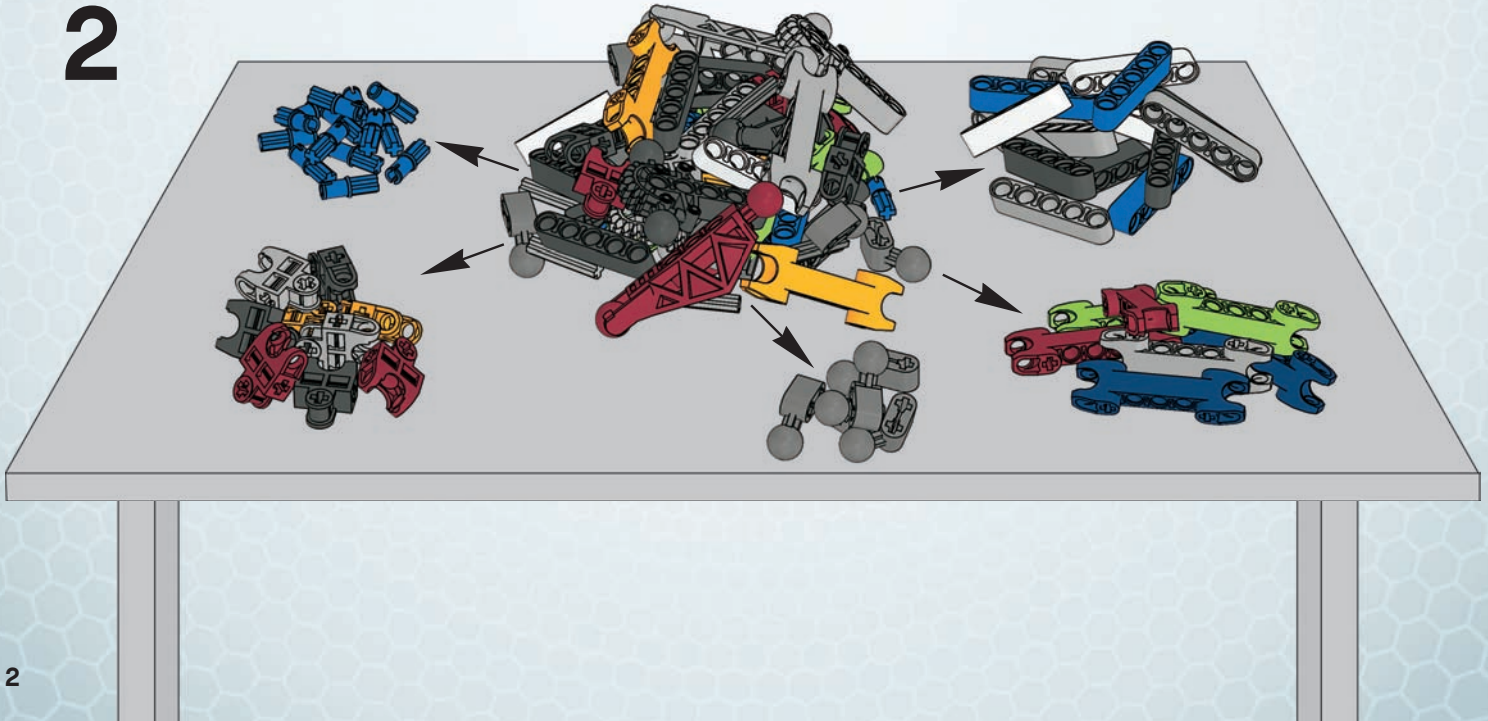
8697



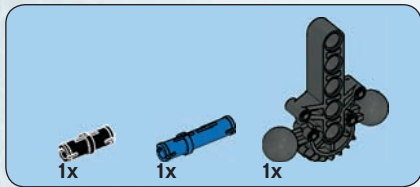
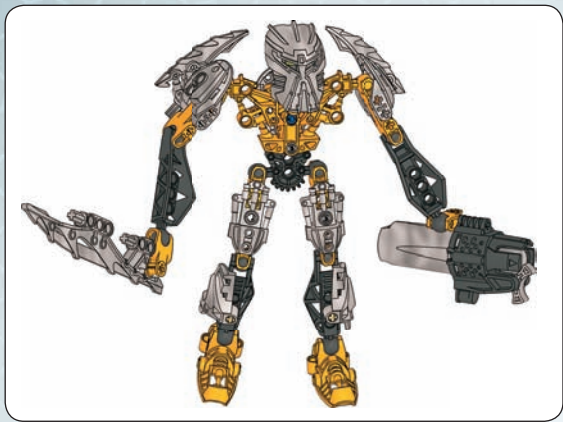
1



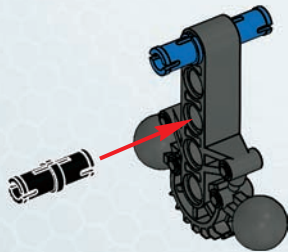
2



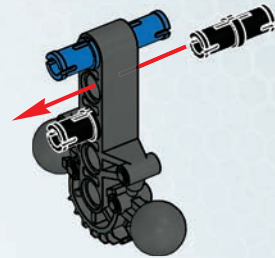




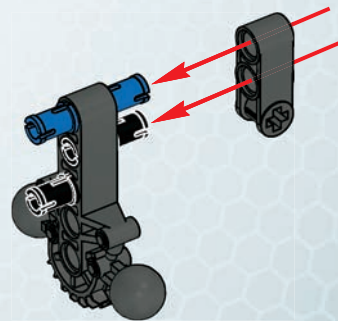
1

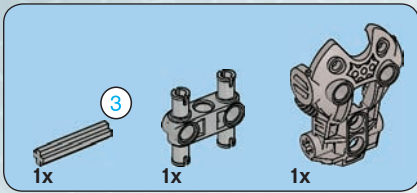


2

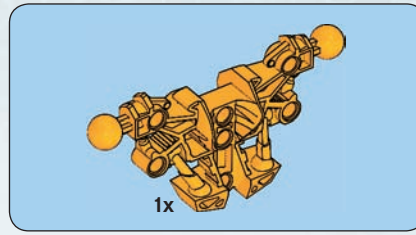
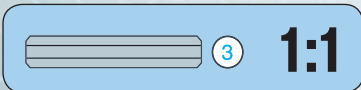
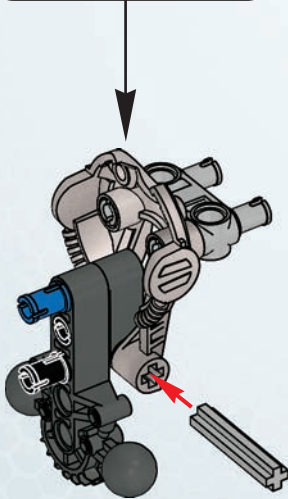
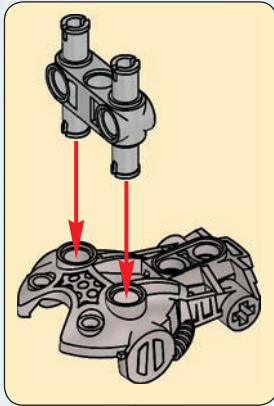


3

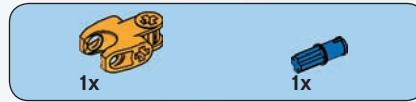
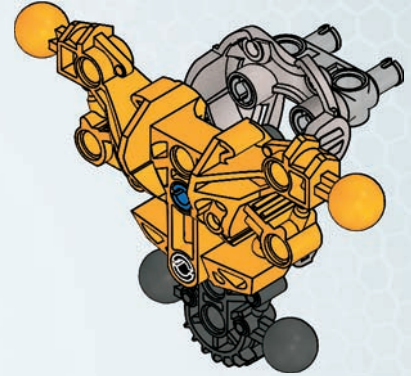




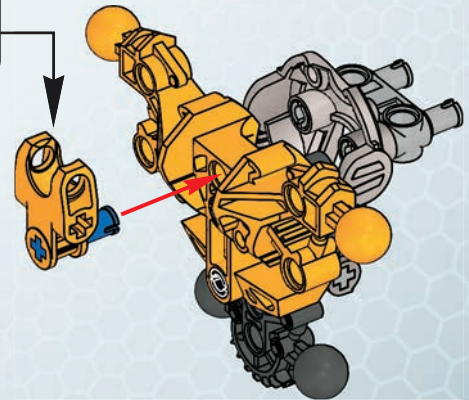
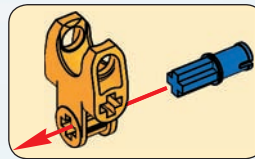
4

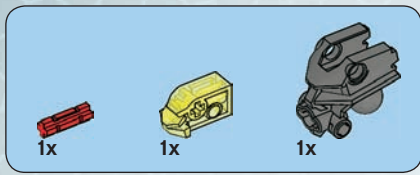


5

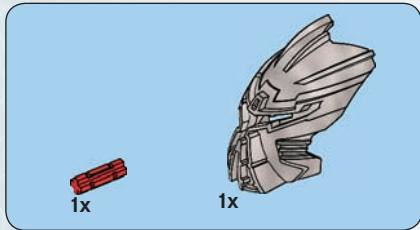
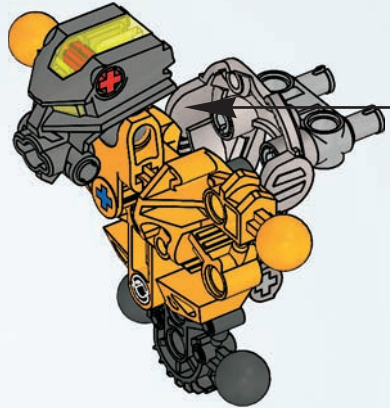
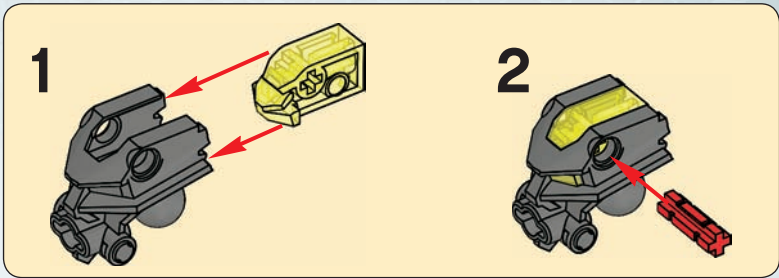


6

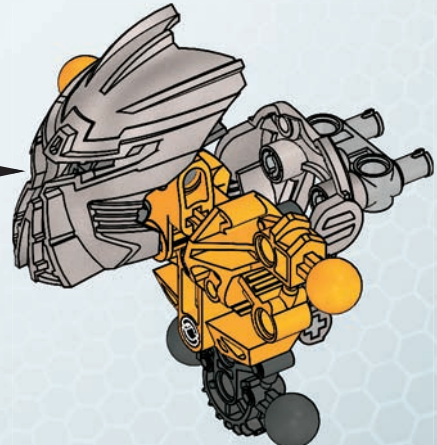
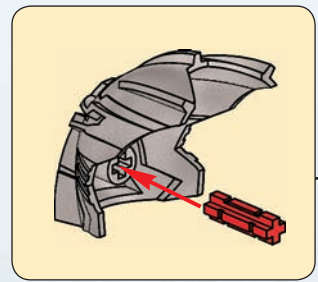


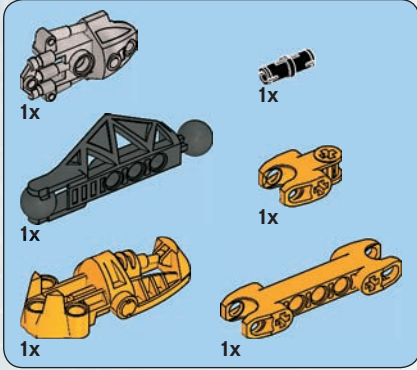


7

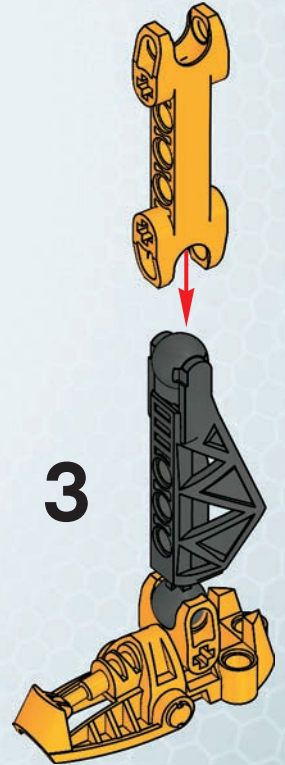
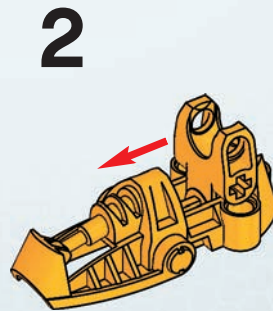
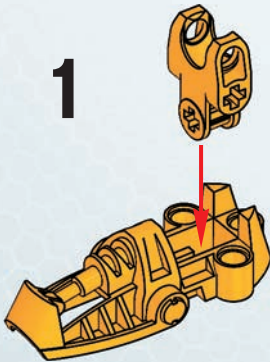


8

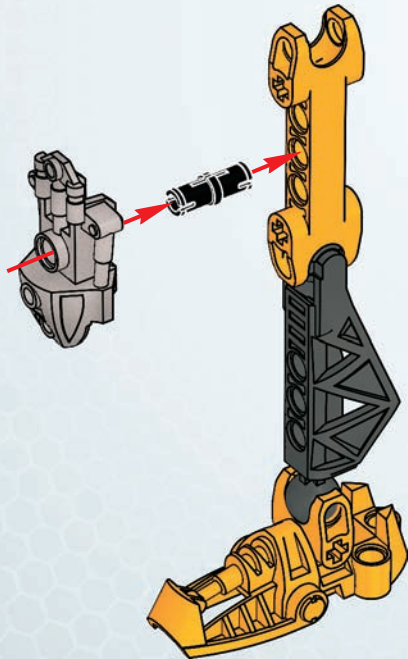




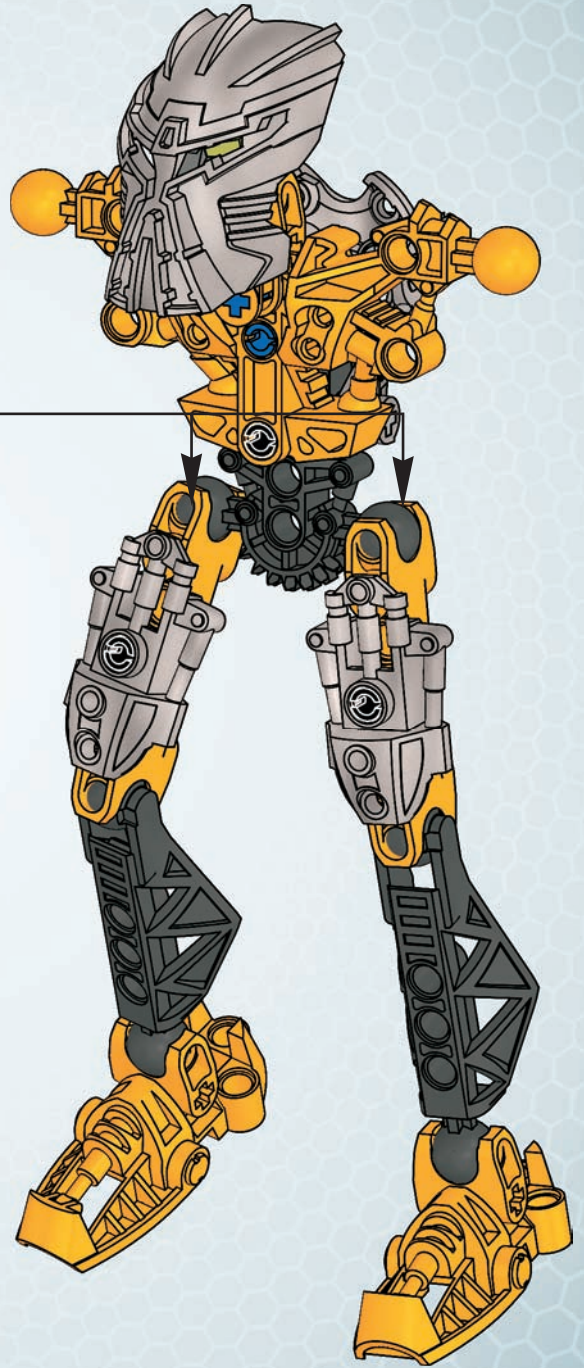
9

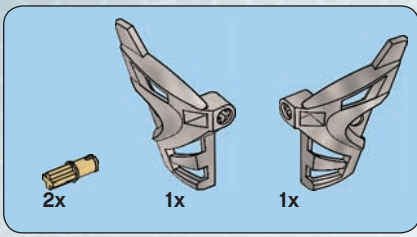


4

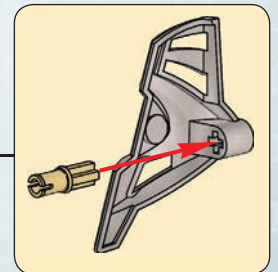
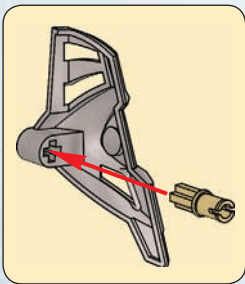
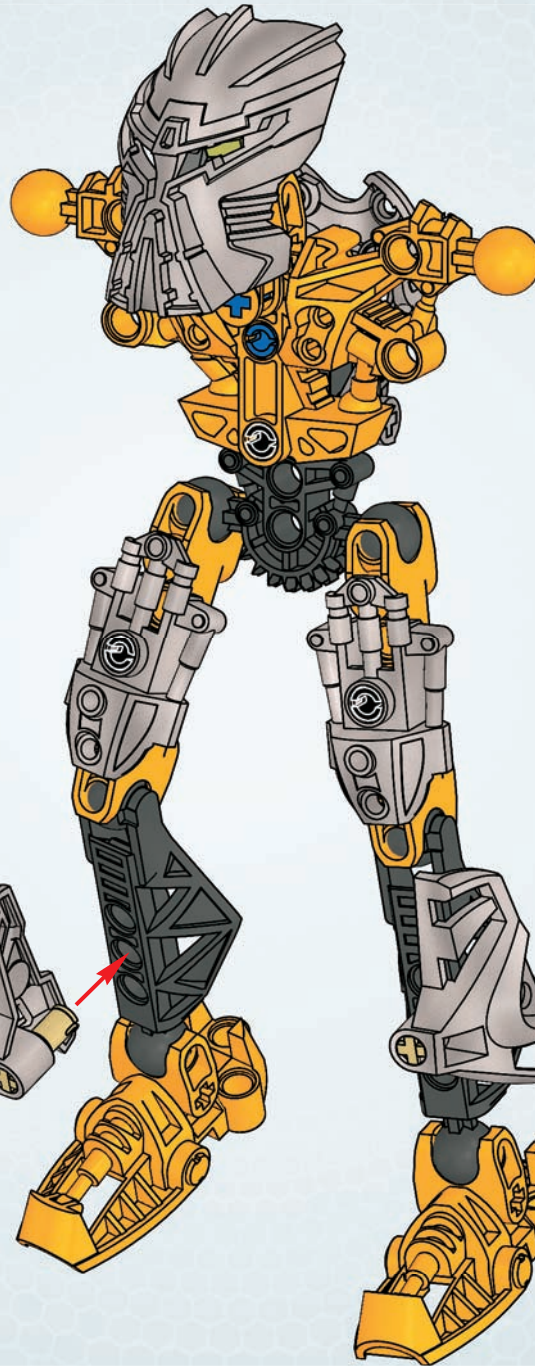


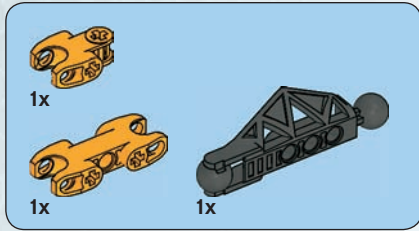
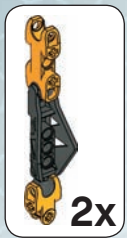
2x



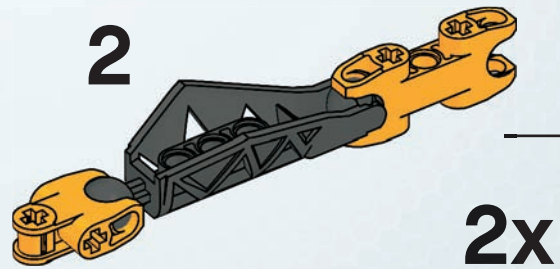
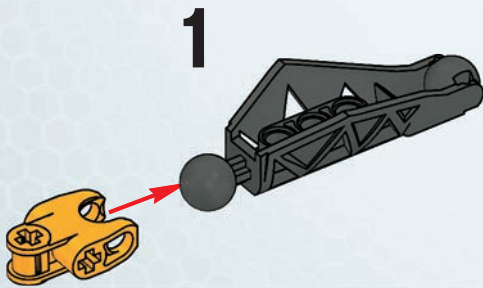


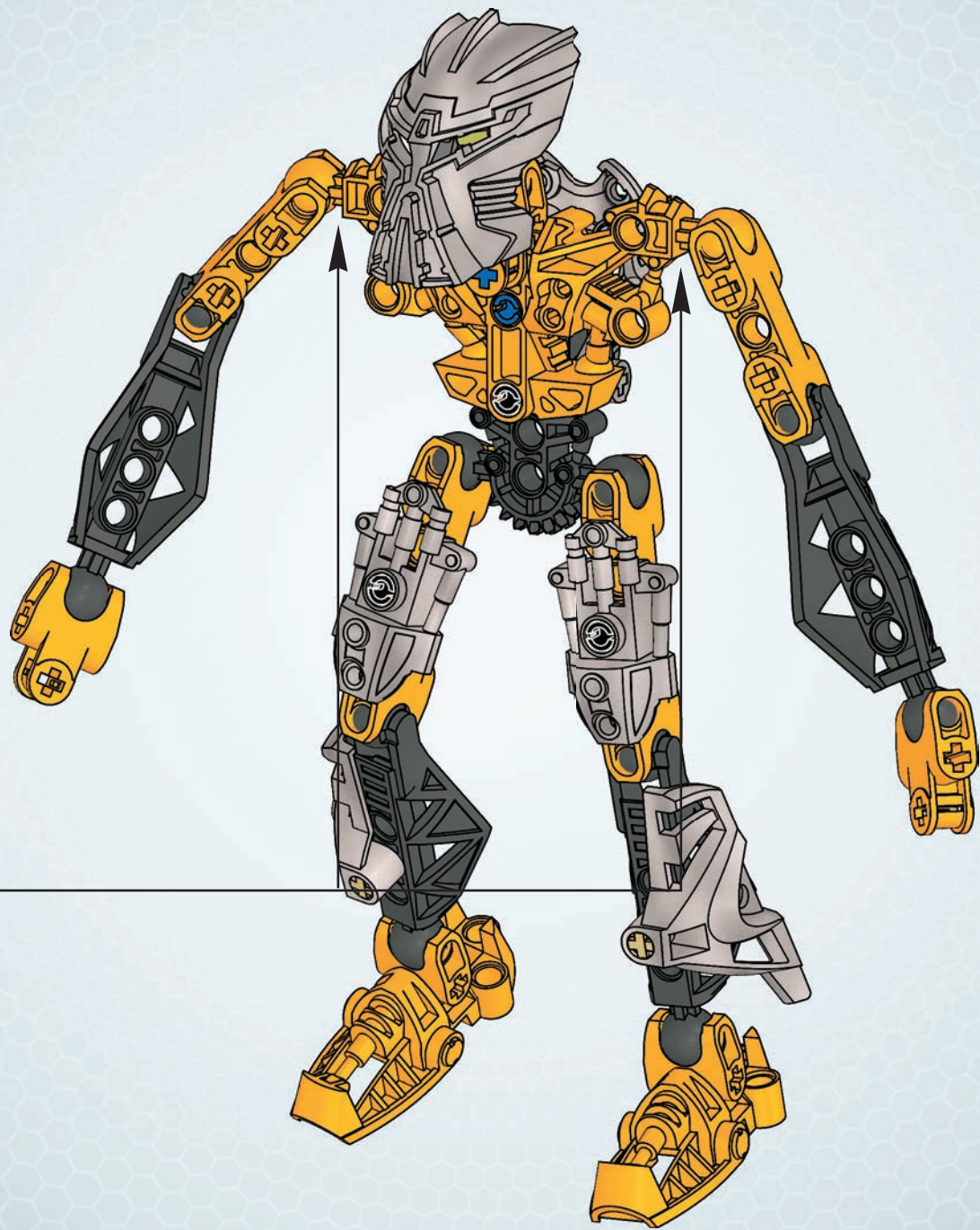
10

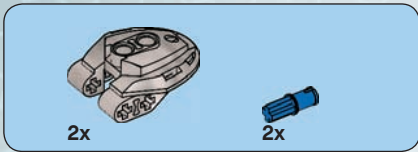




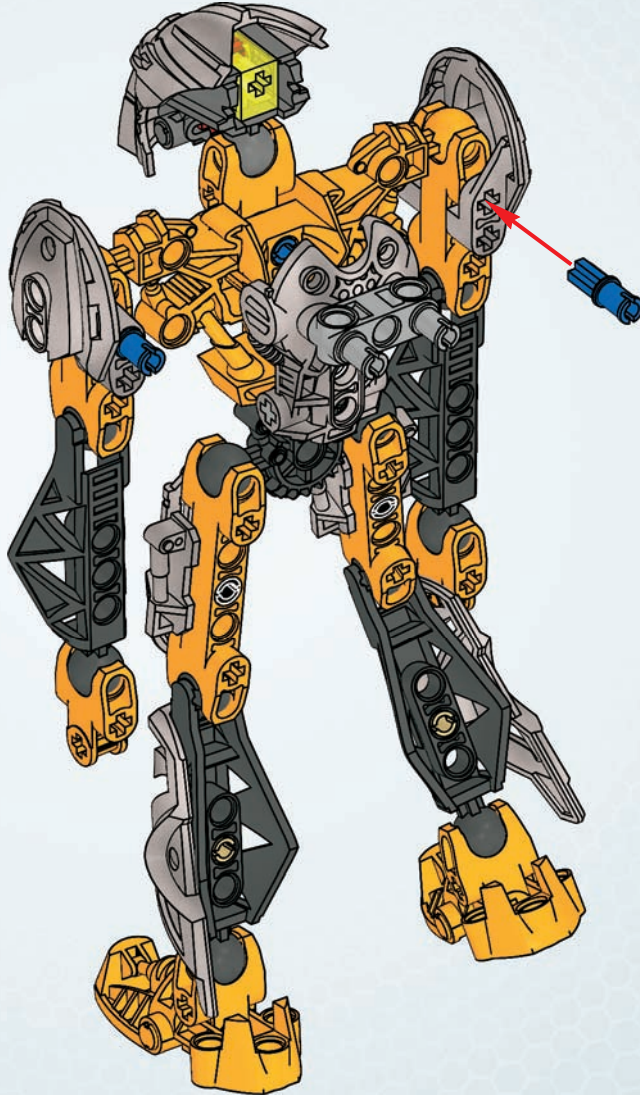
11





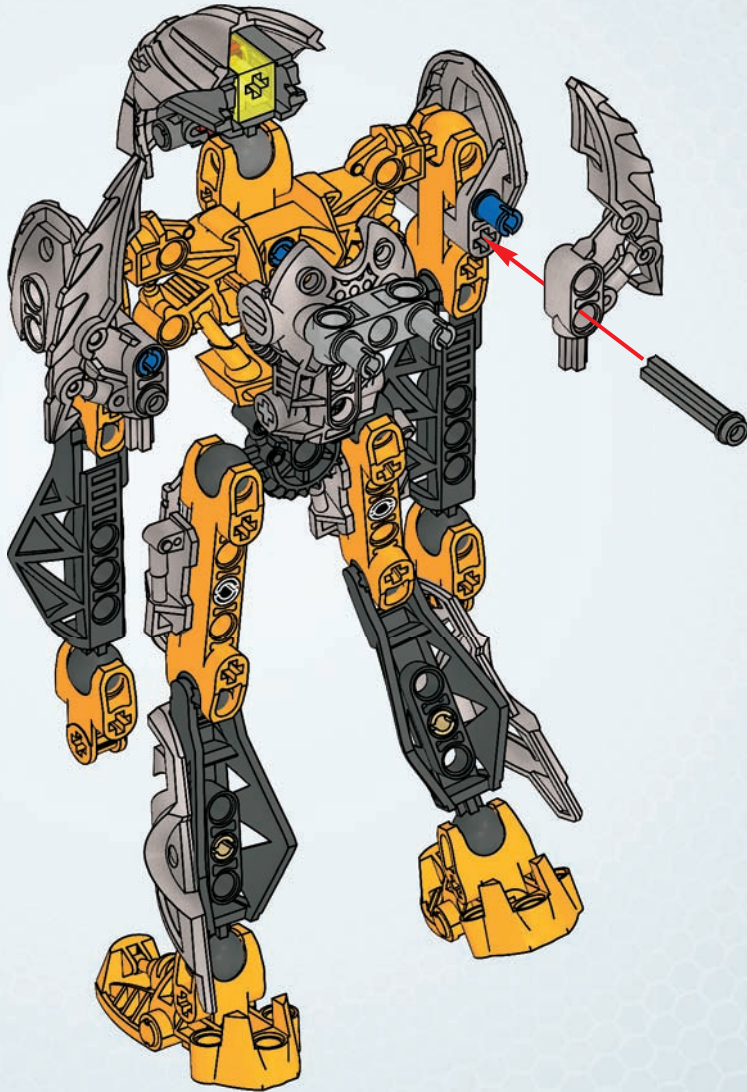


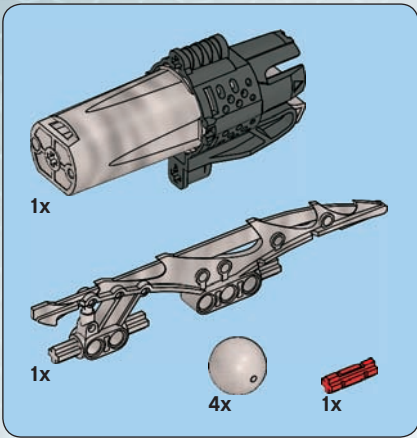
12



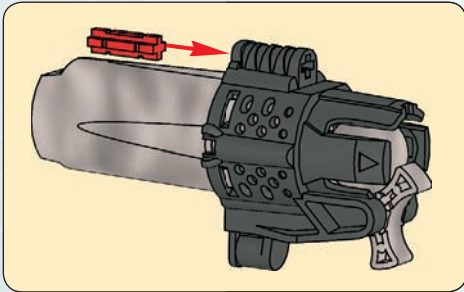
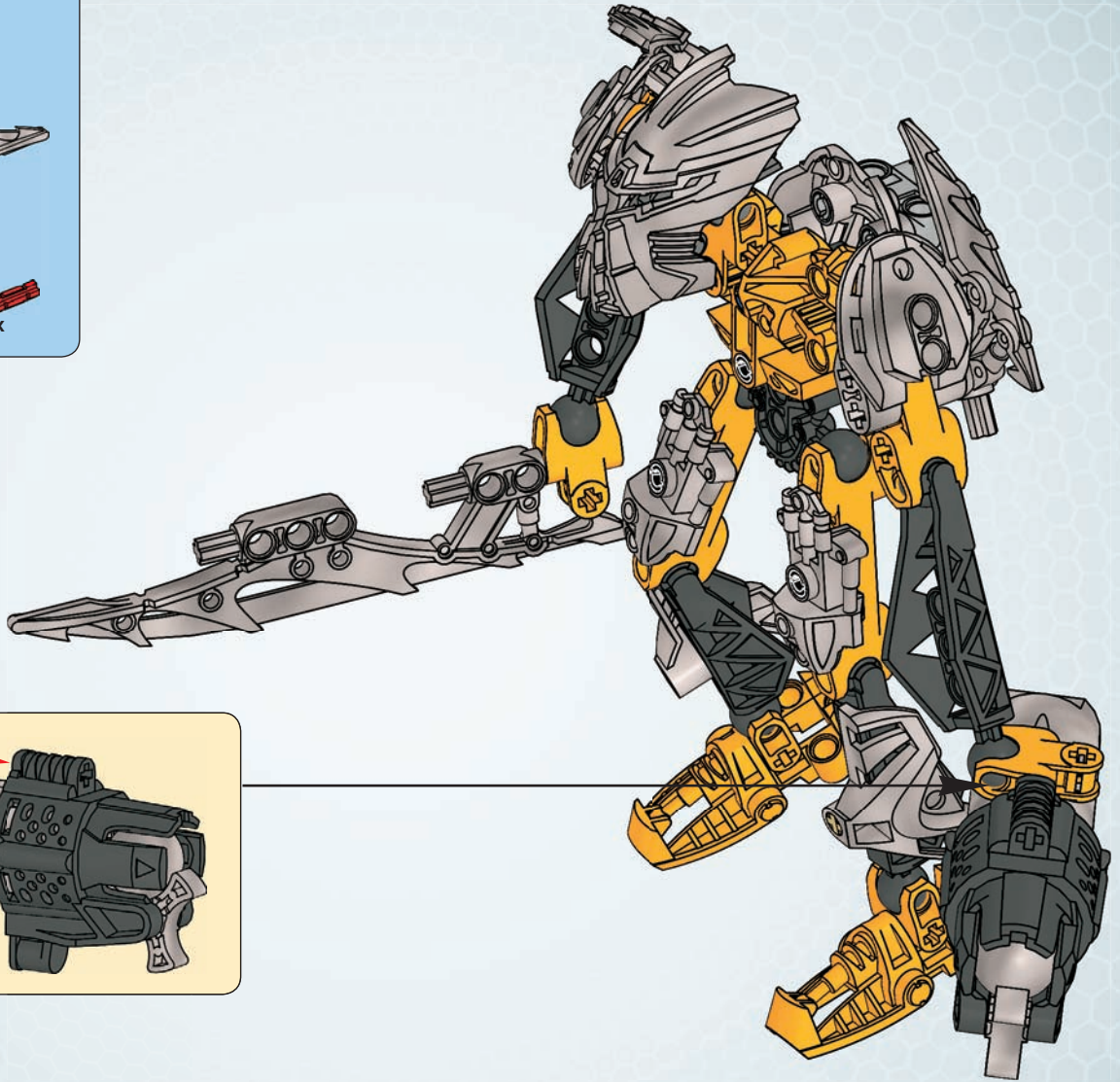


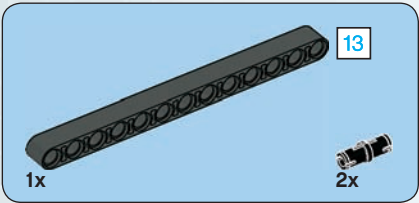
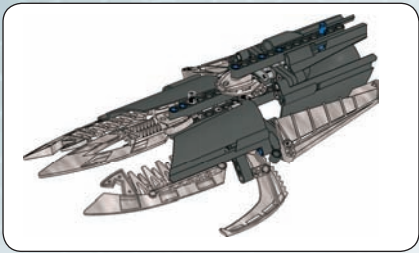
13



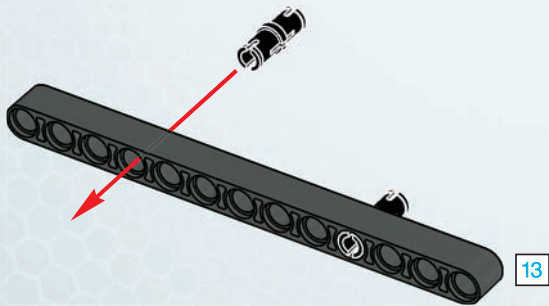


14

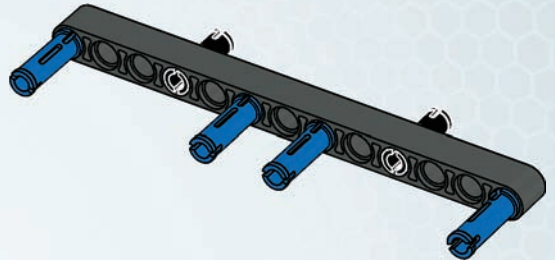




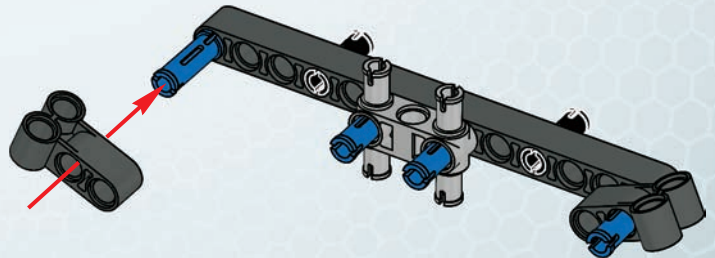
1

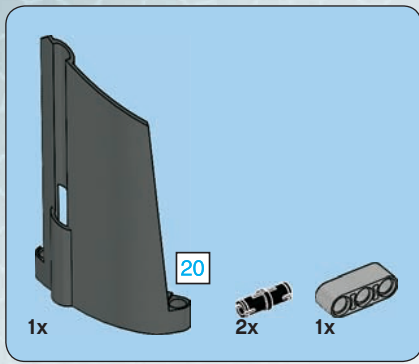


2

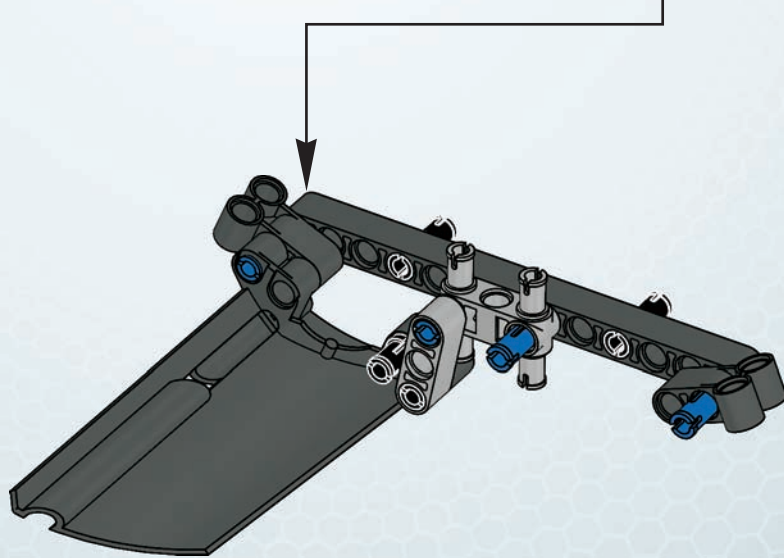
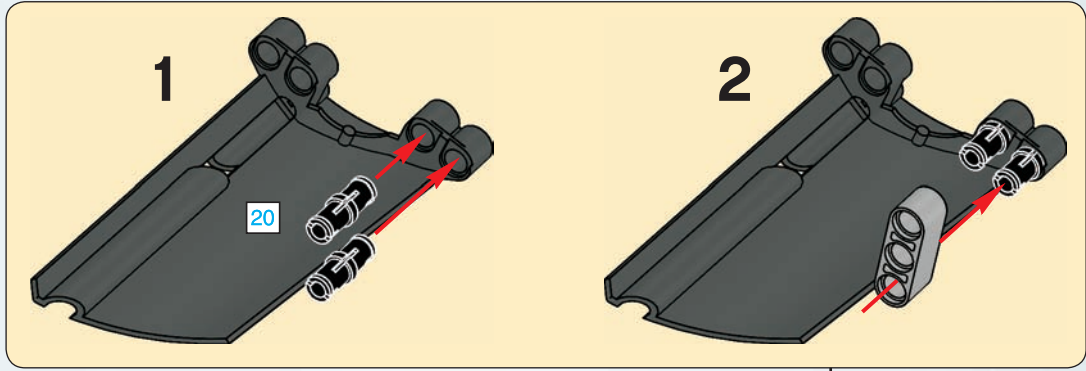


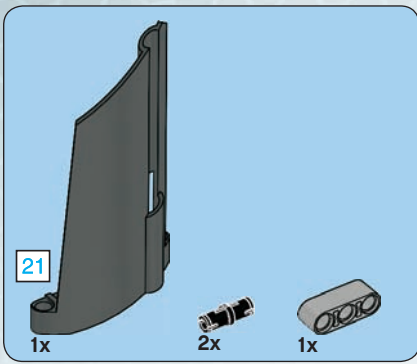
3



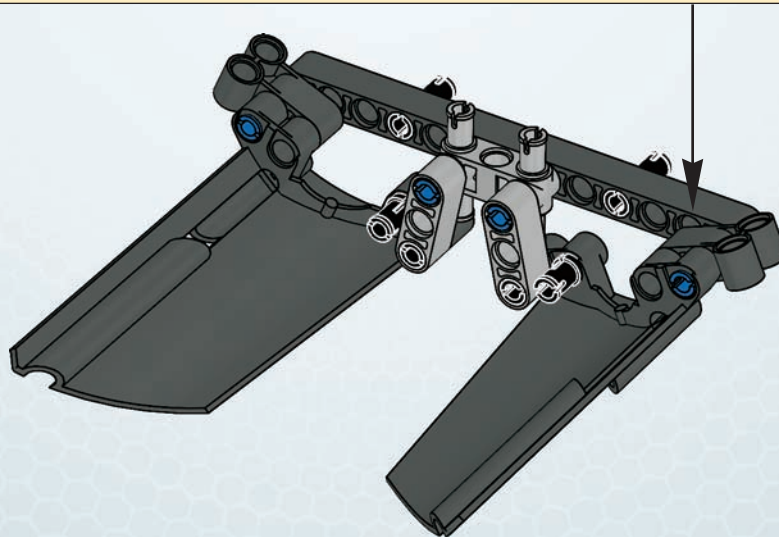
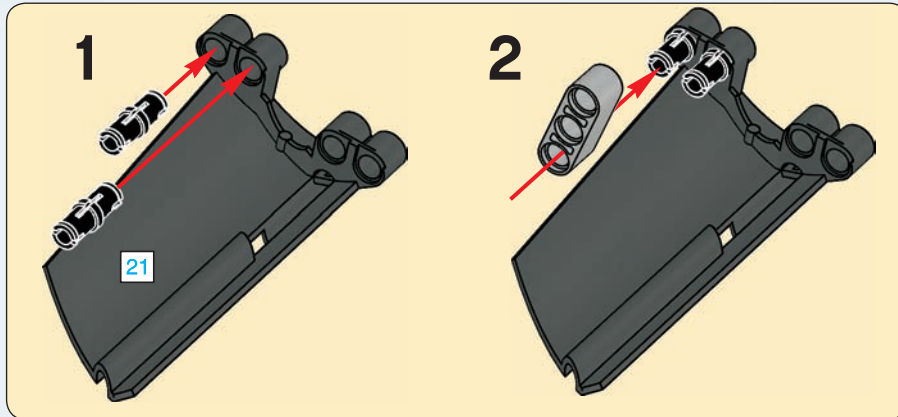


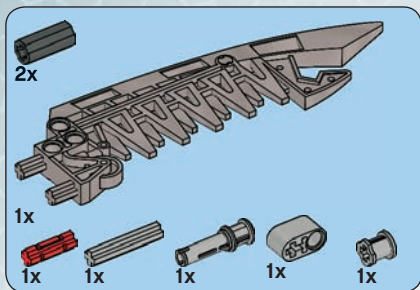
4





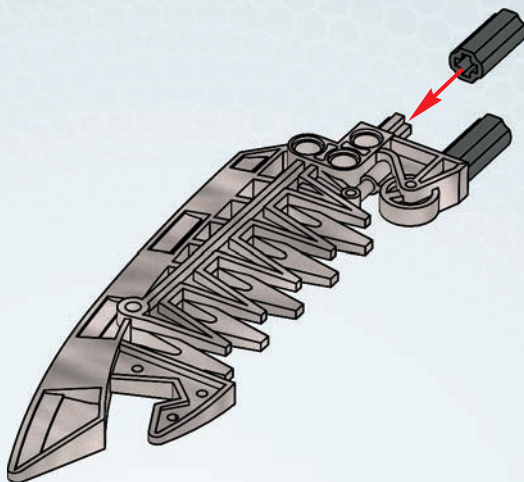
5



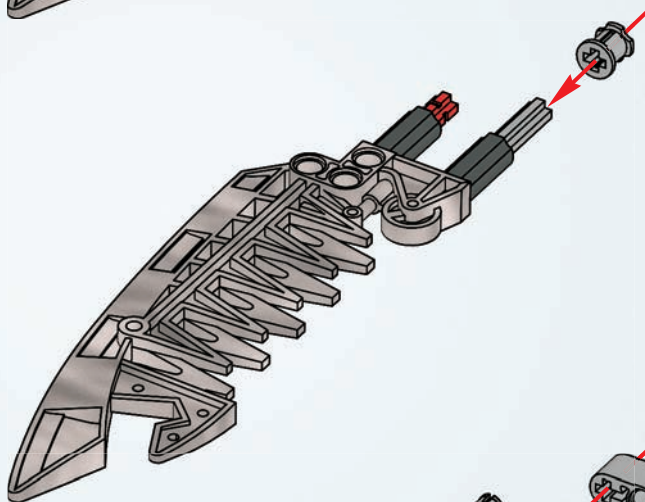


6

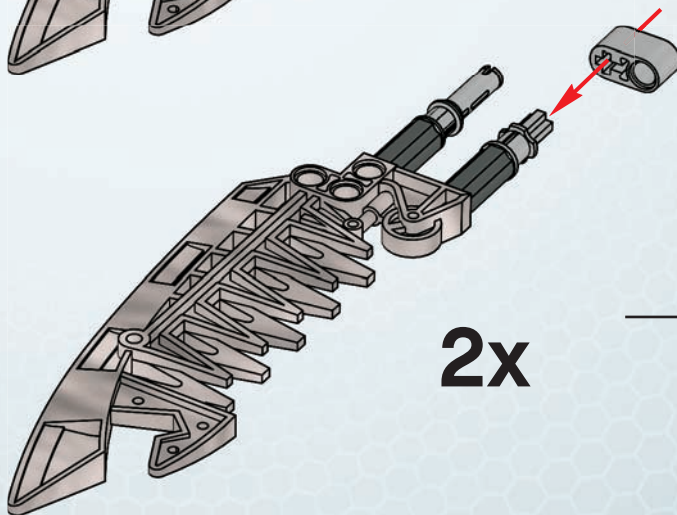
1



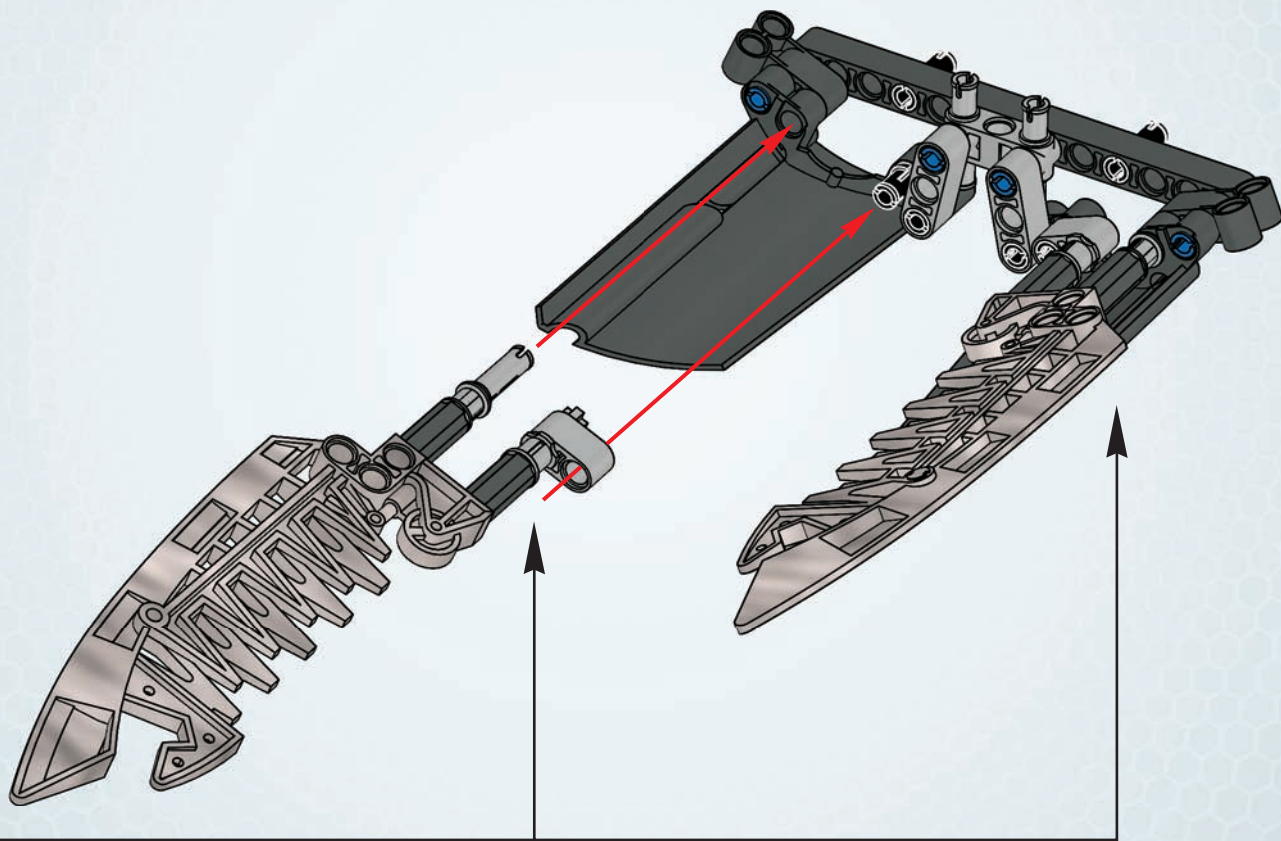
2

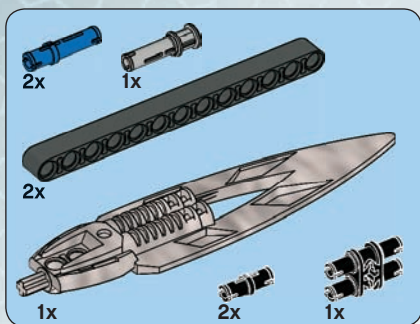


3

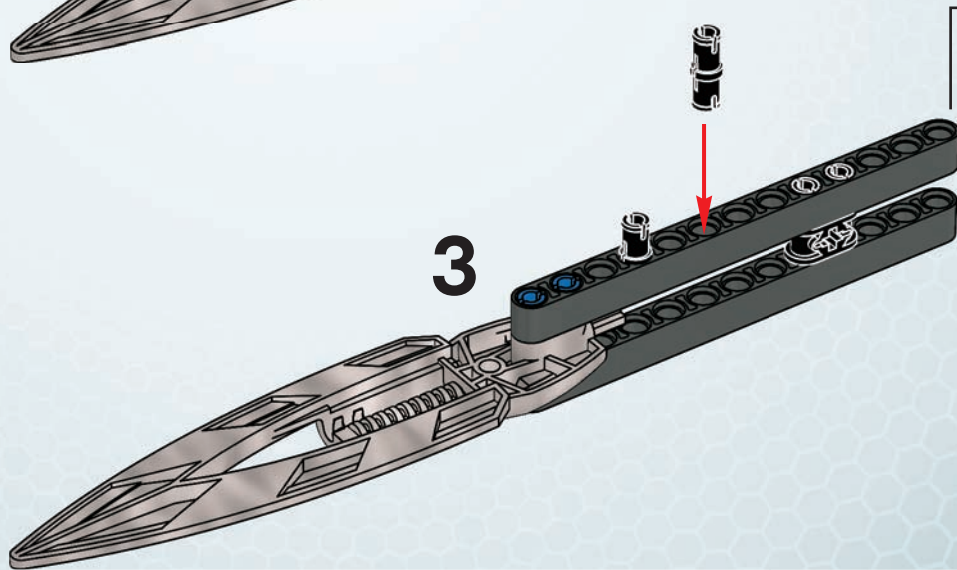
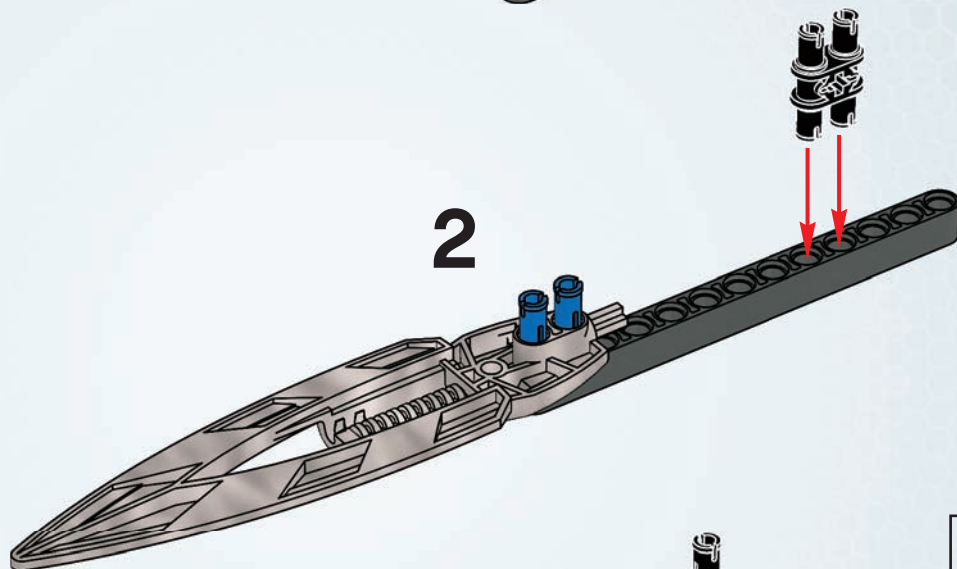
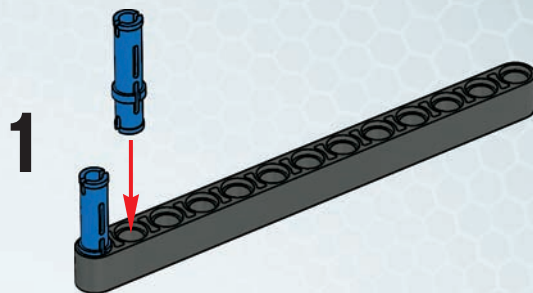


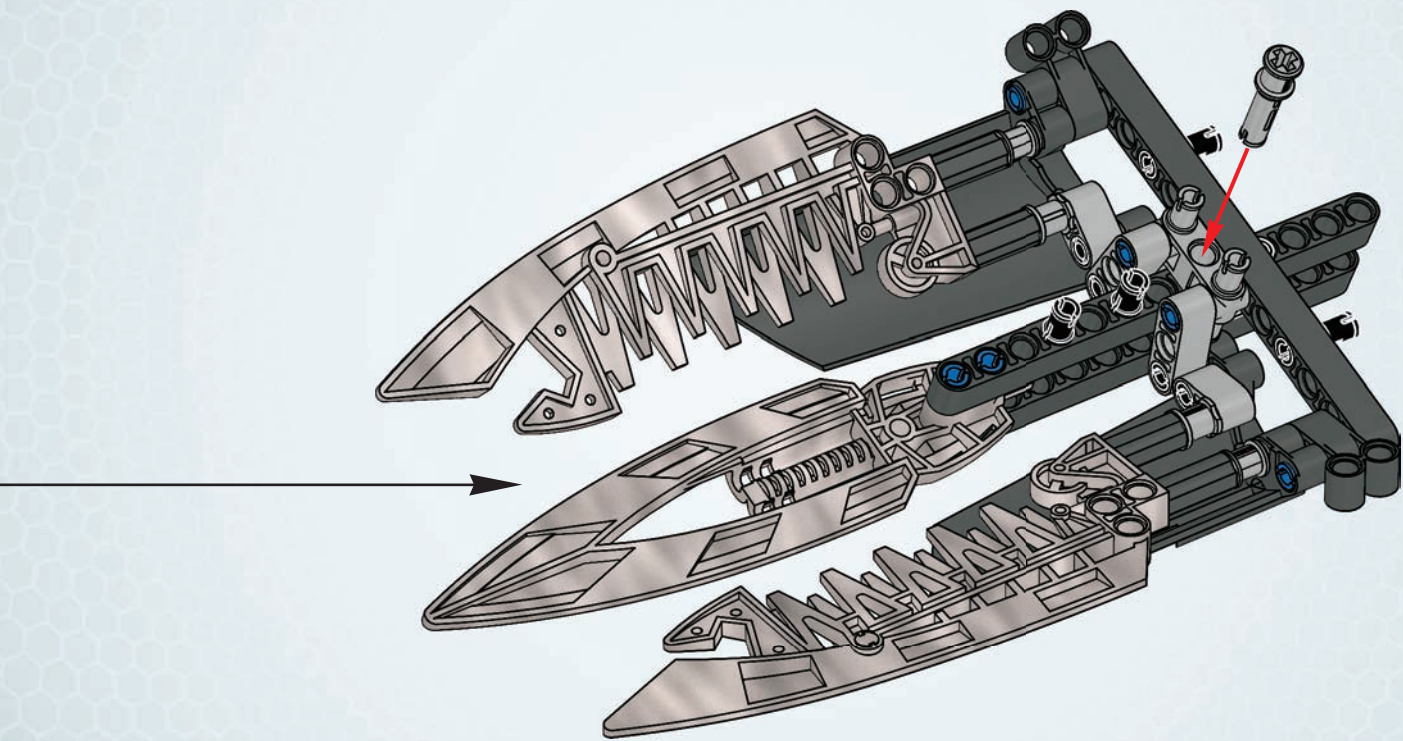
2x

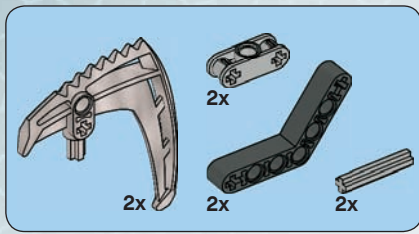




7

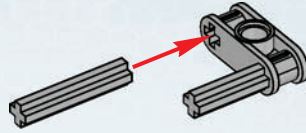




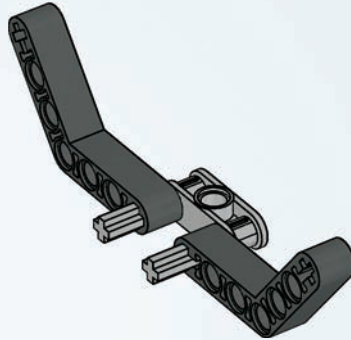


8

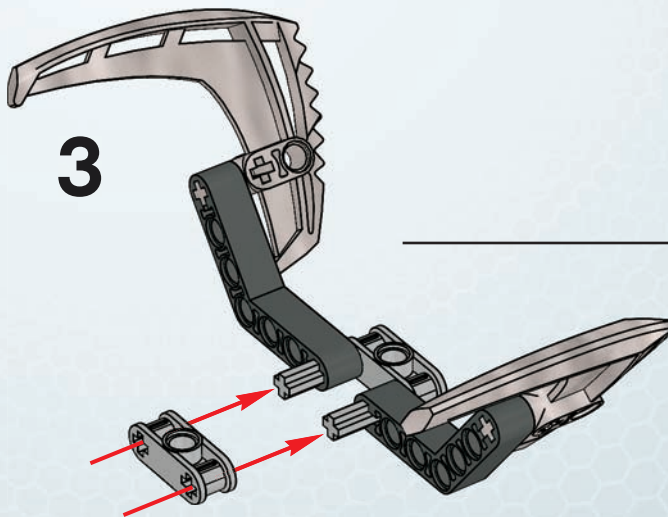
1

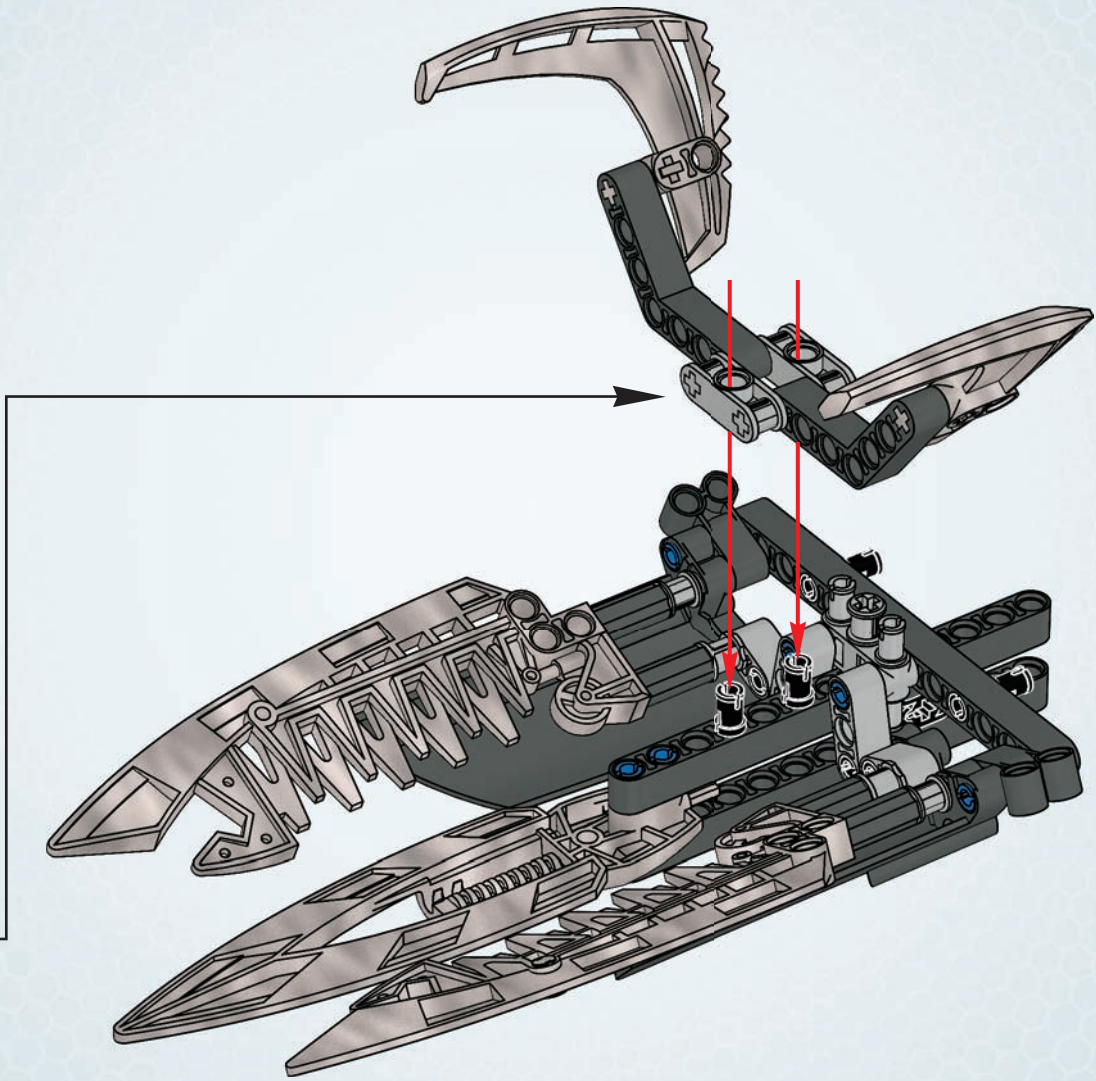


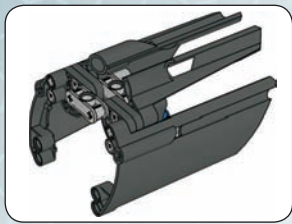
2



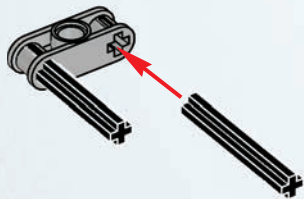
3



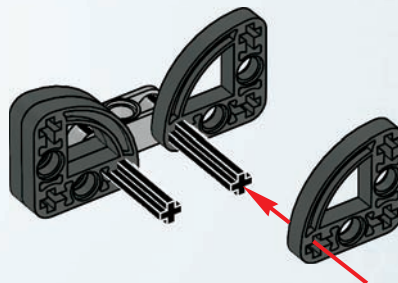




1

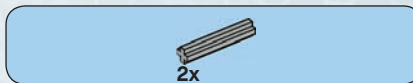
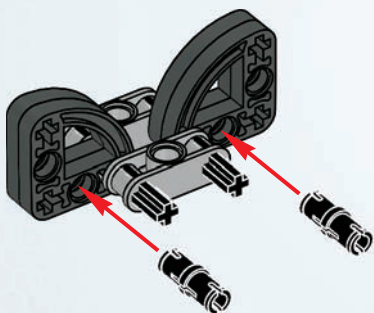


2

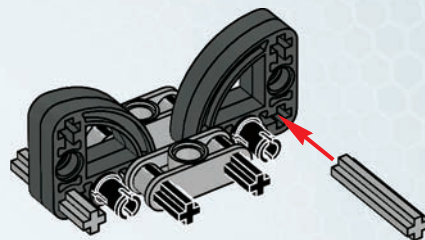




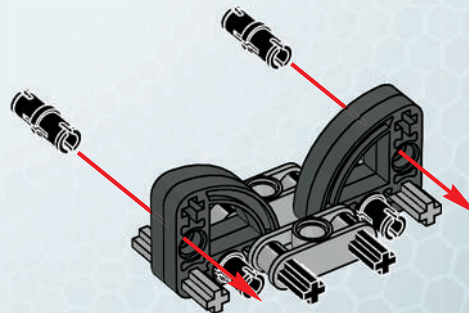
3

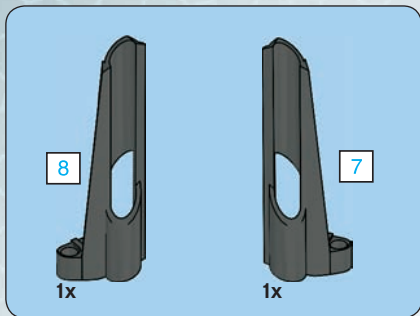


4

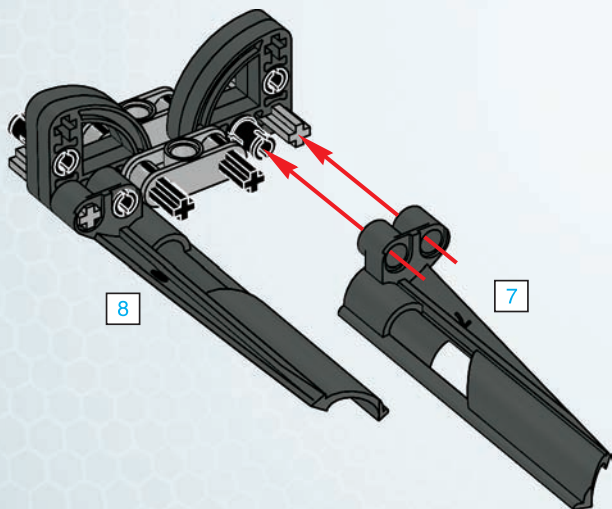


5

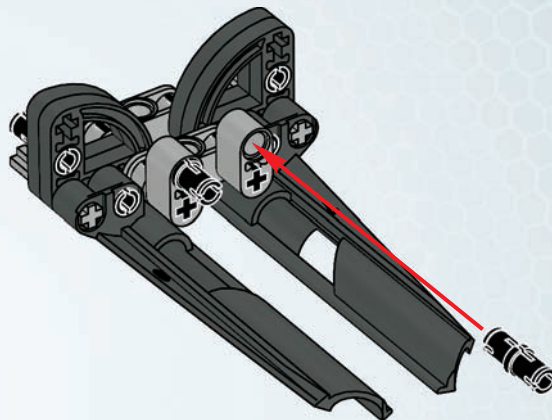




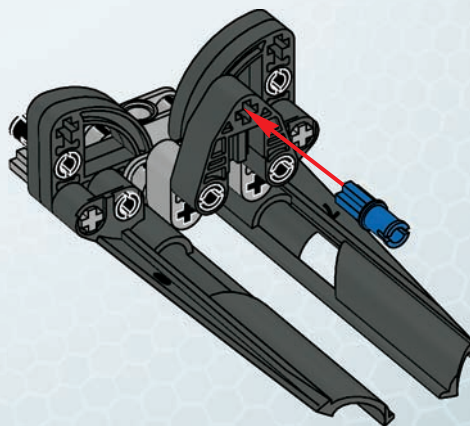
6

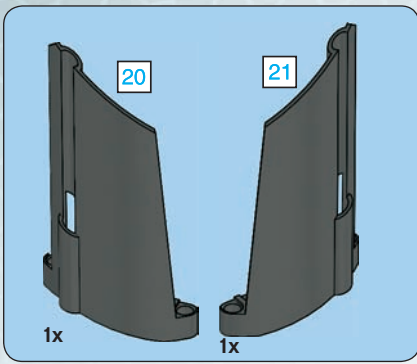


7

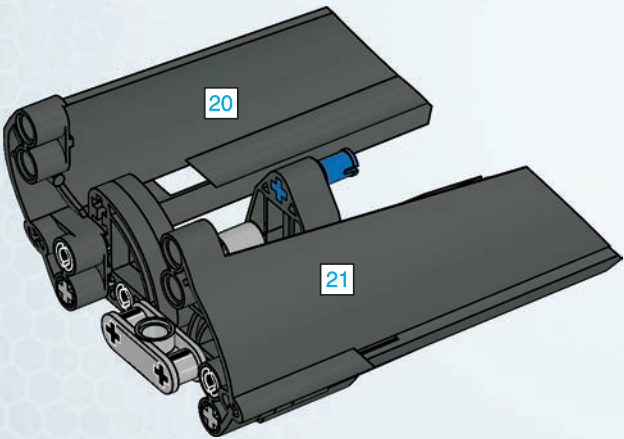


8

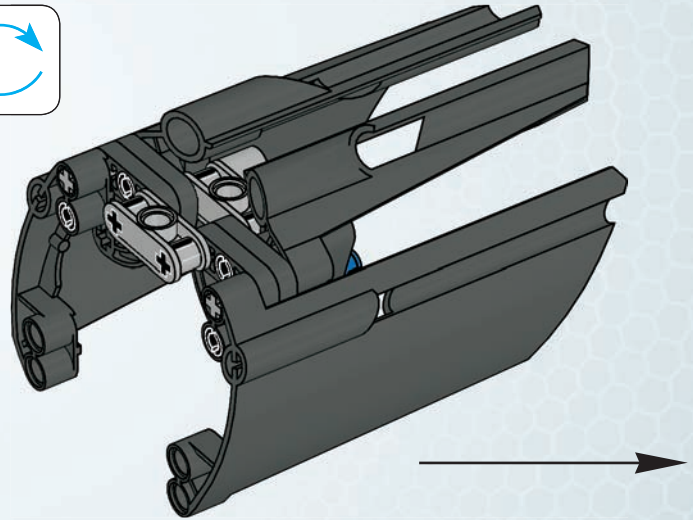
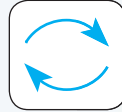


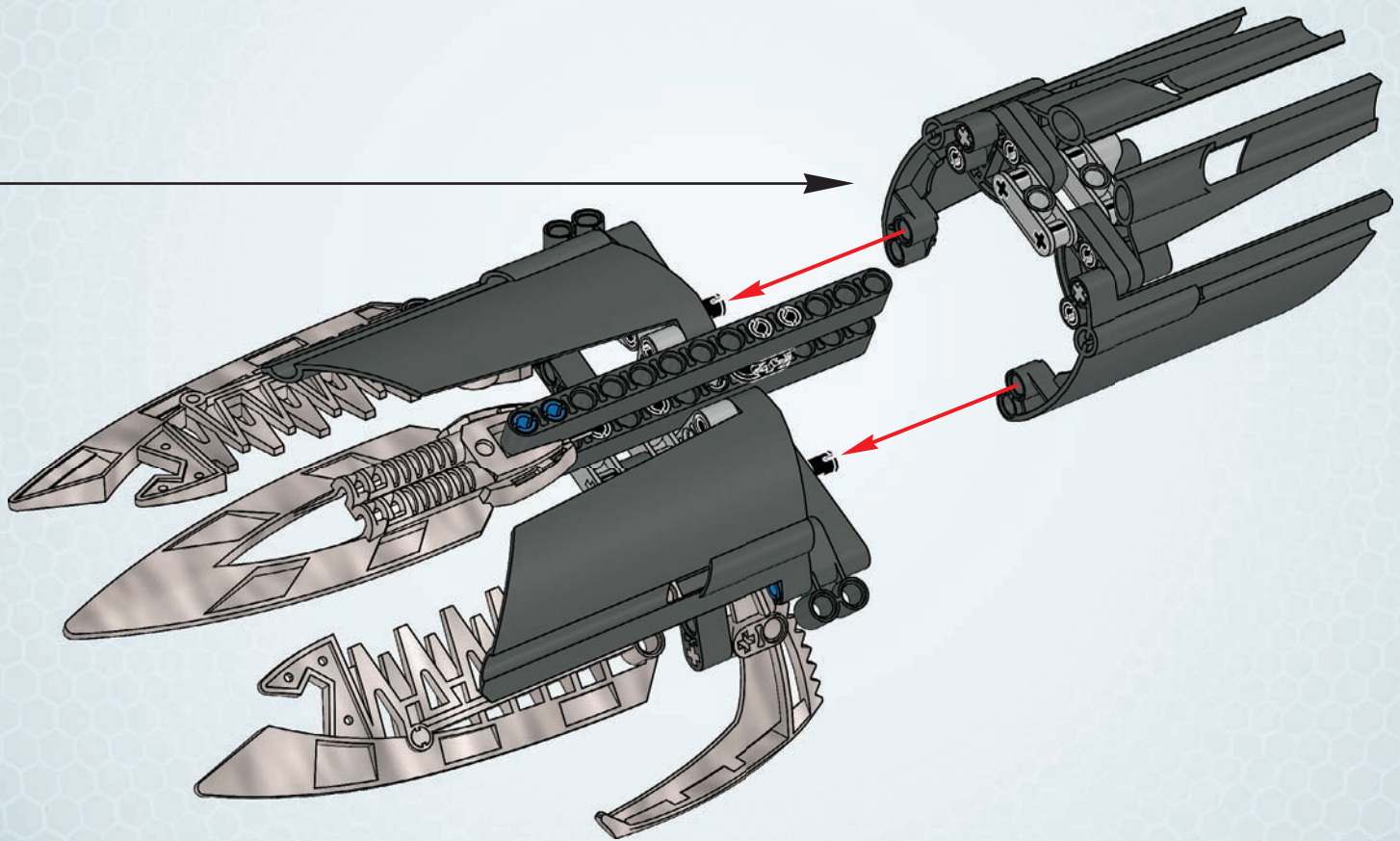


9



10

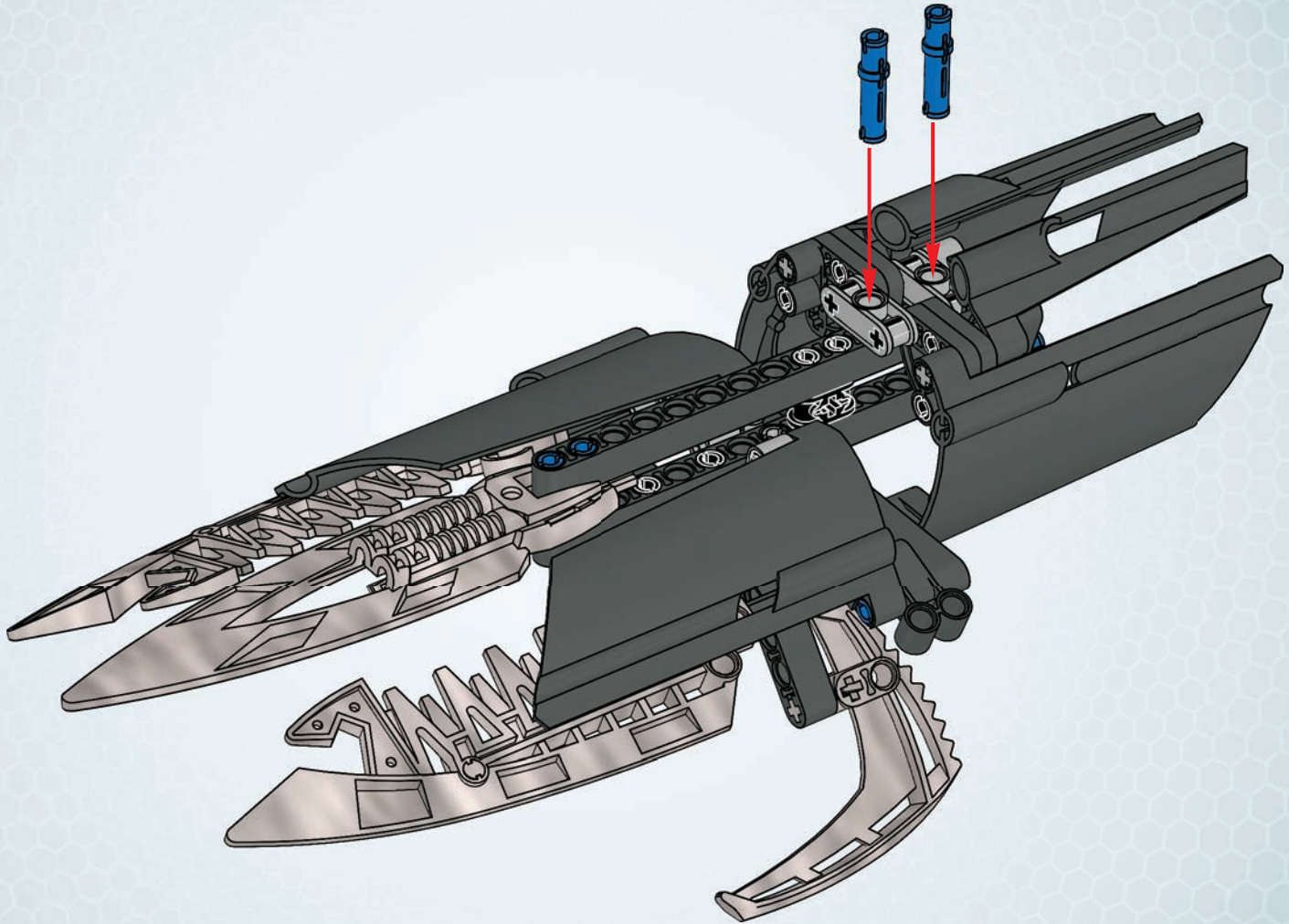






2x

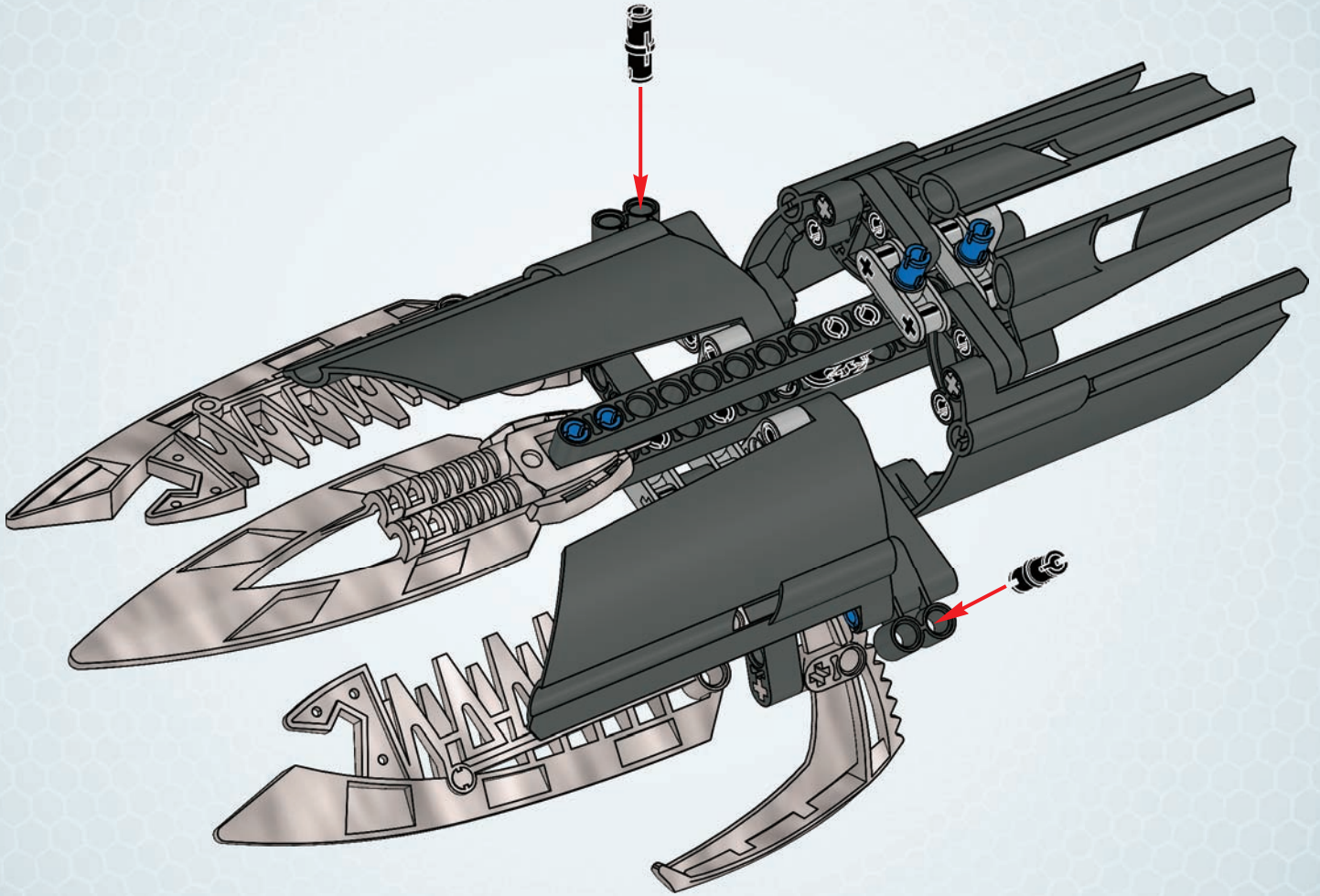
11

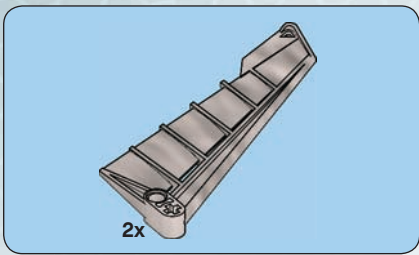




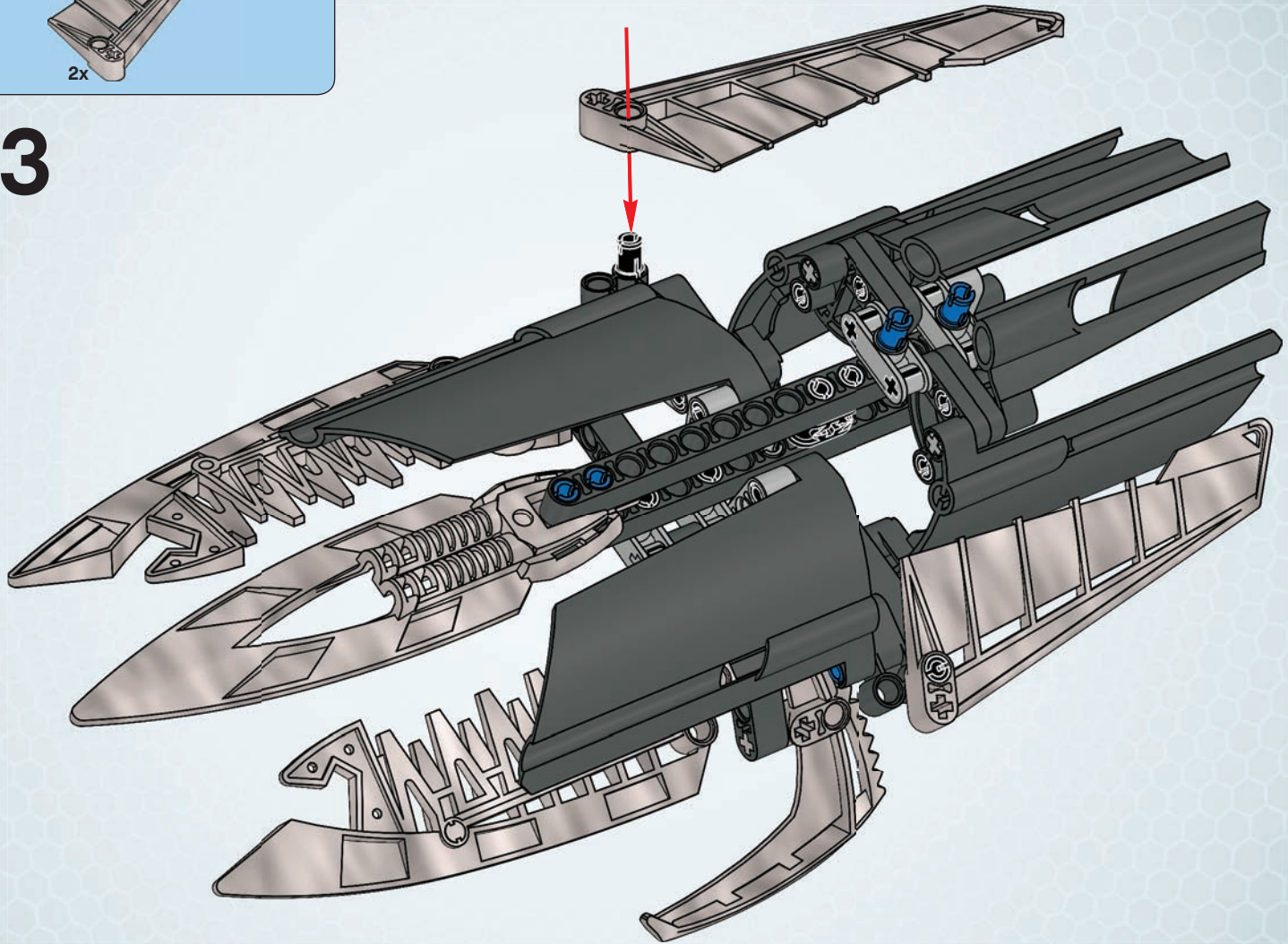
2x

12





13



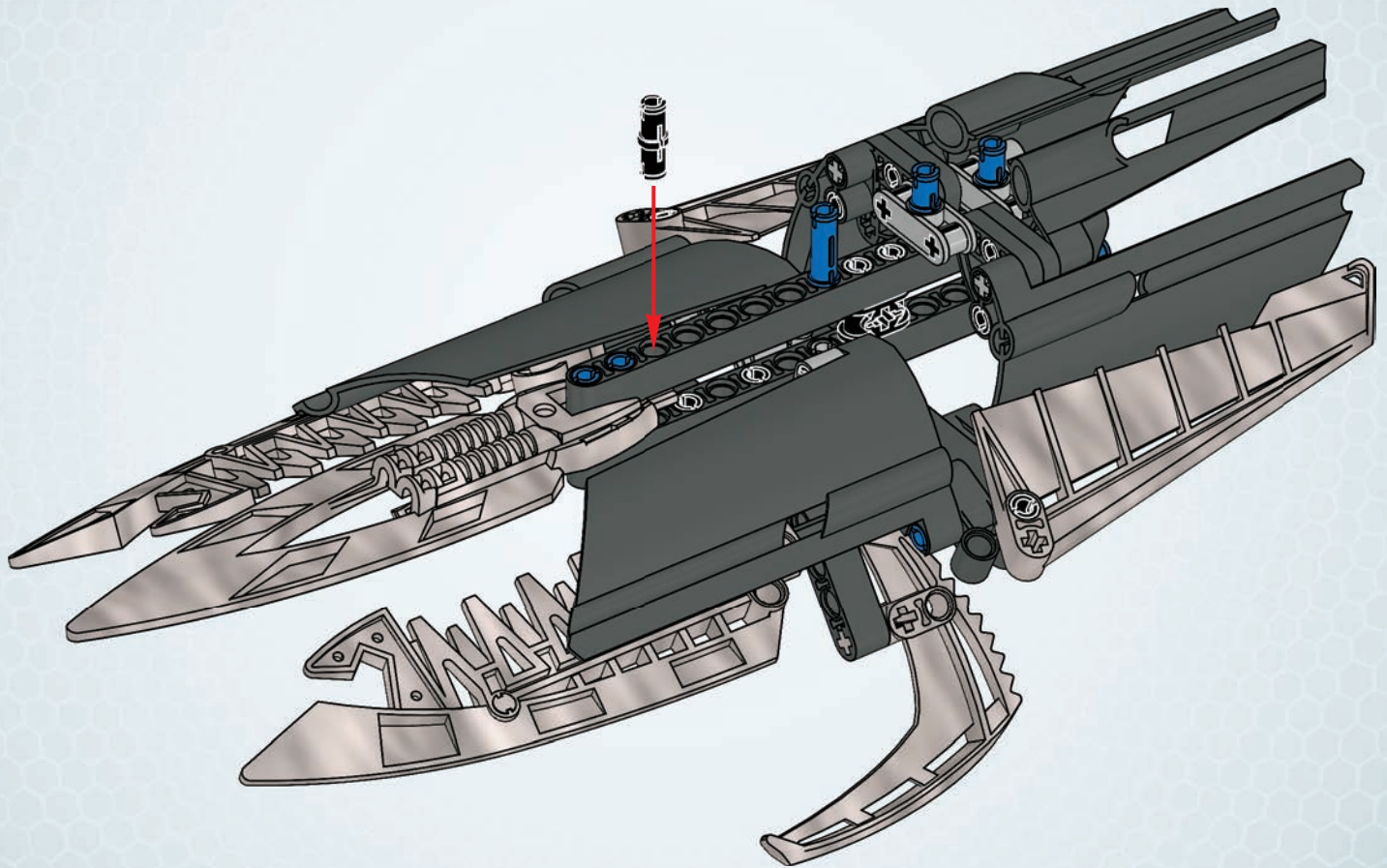


1x



1x

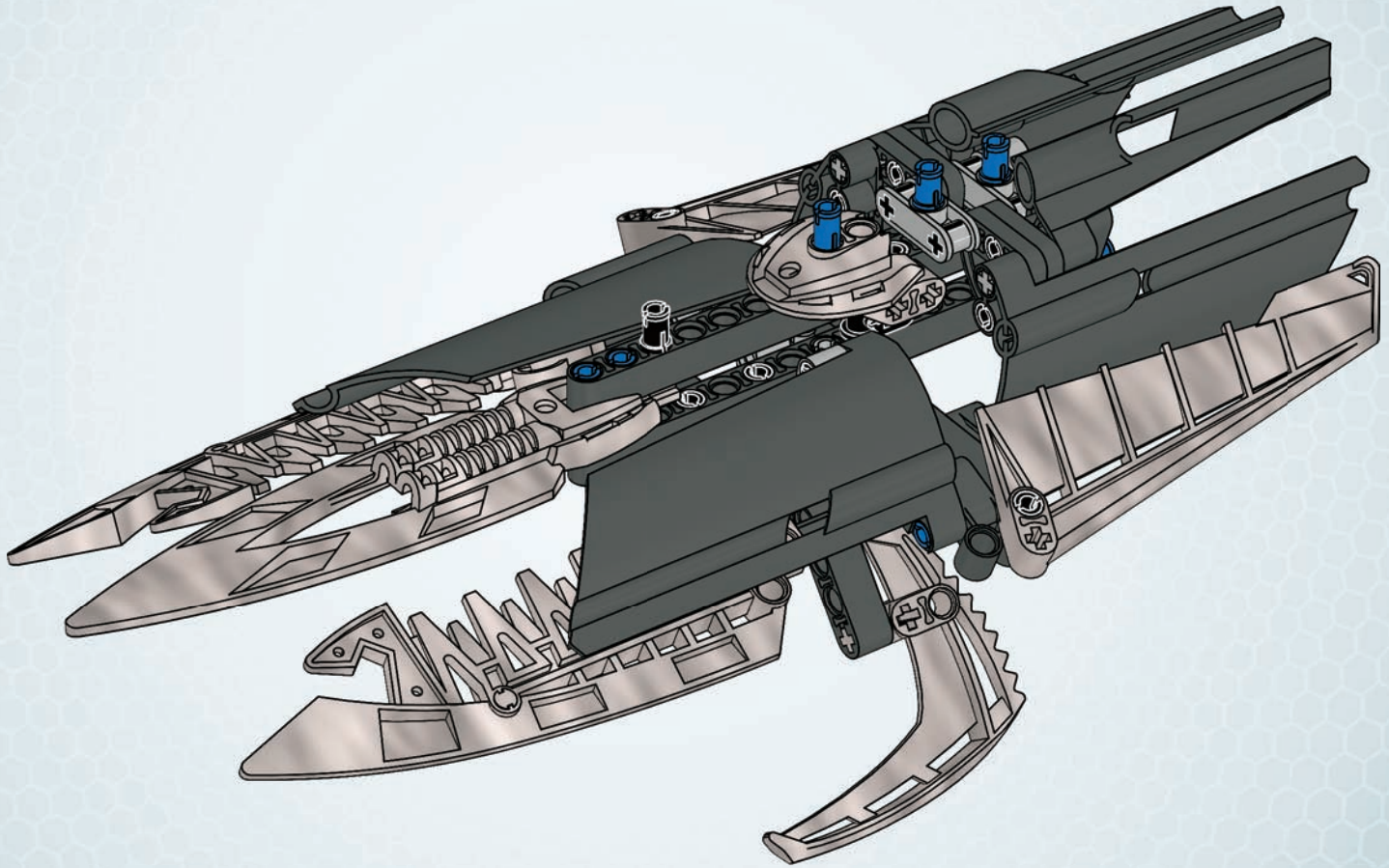
14

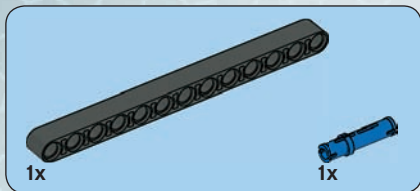




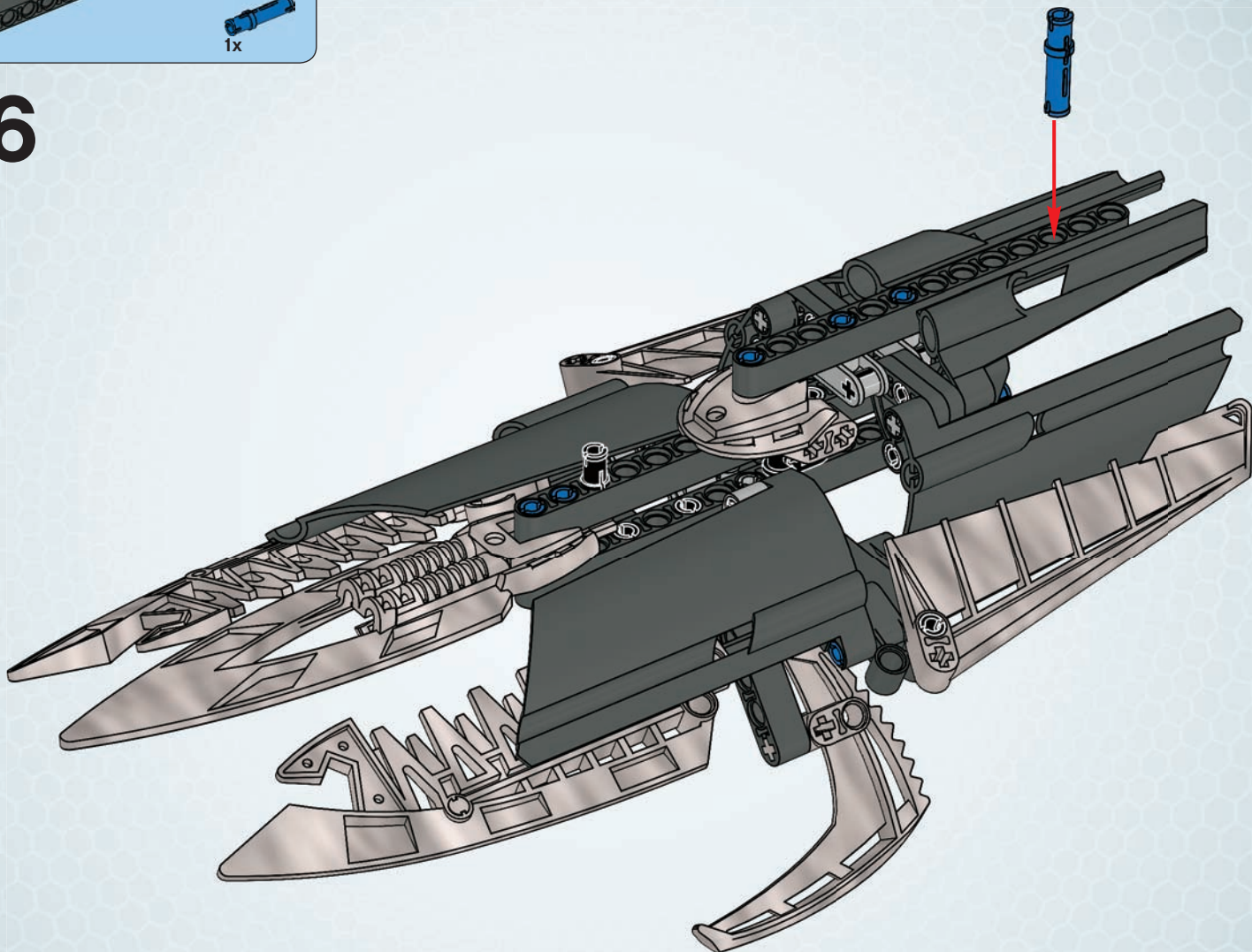
1x

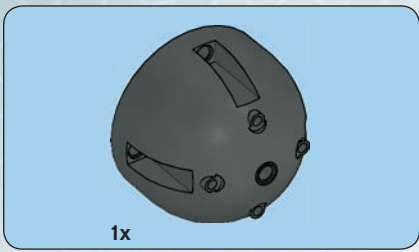
15



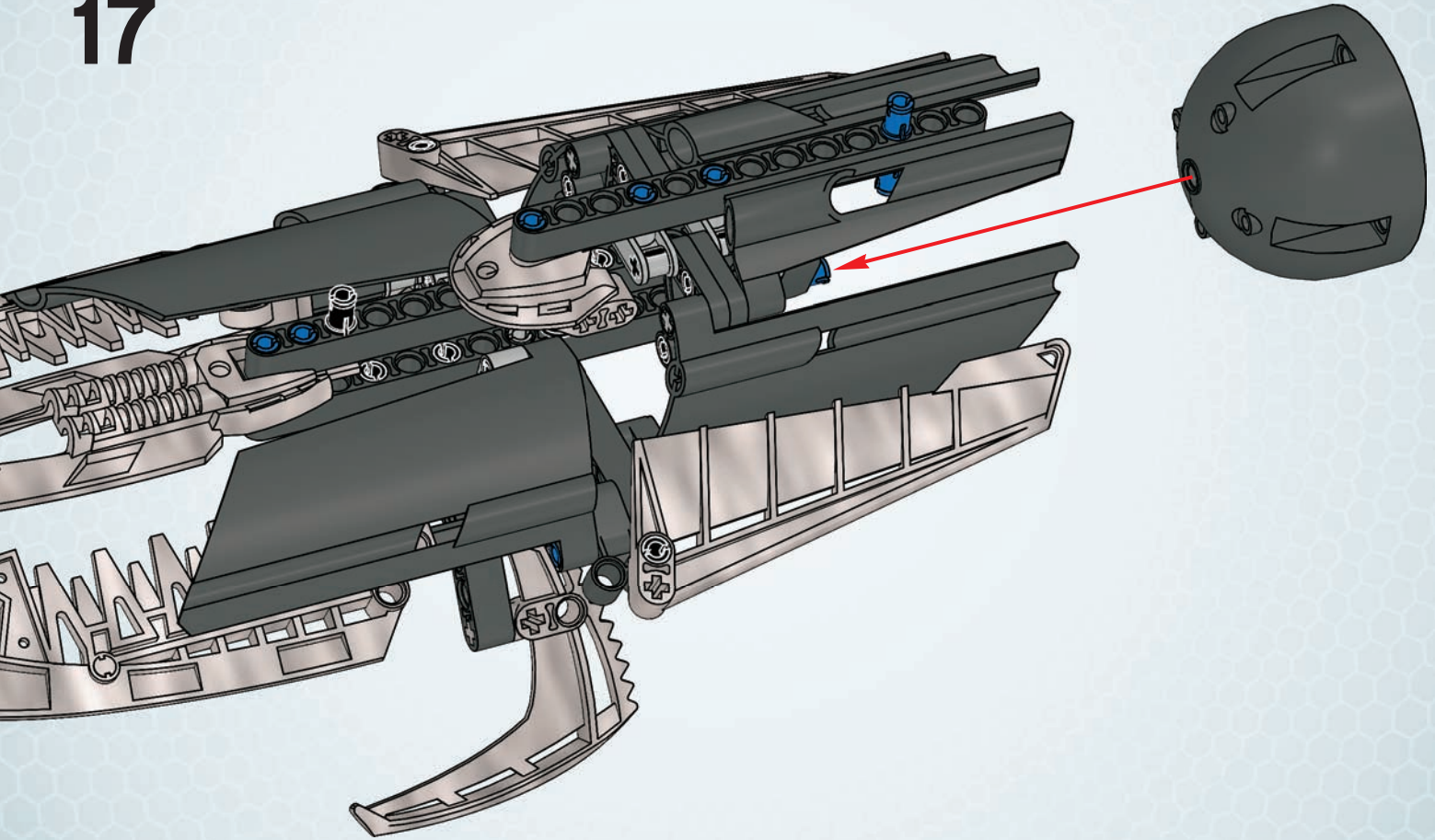


16

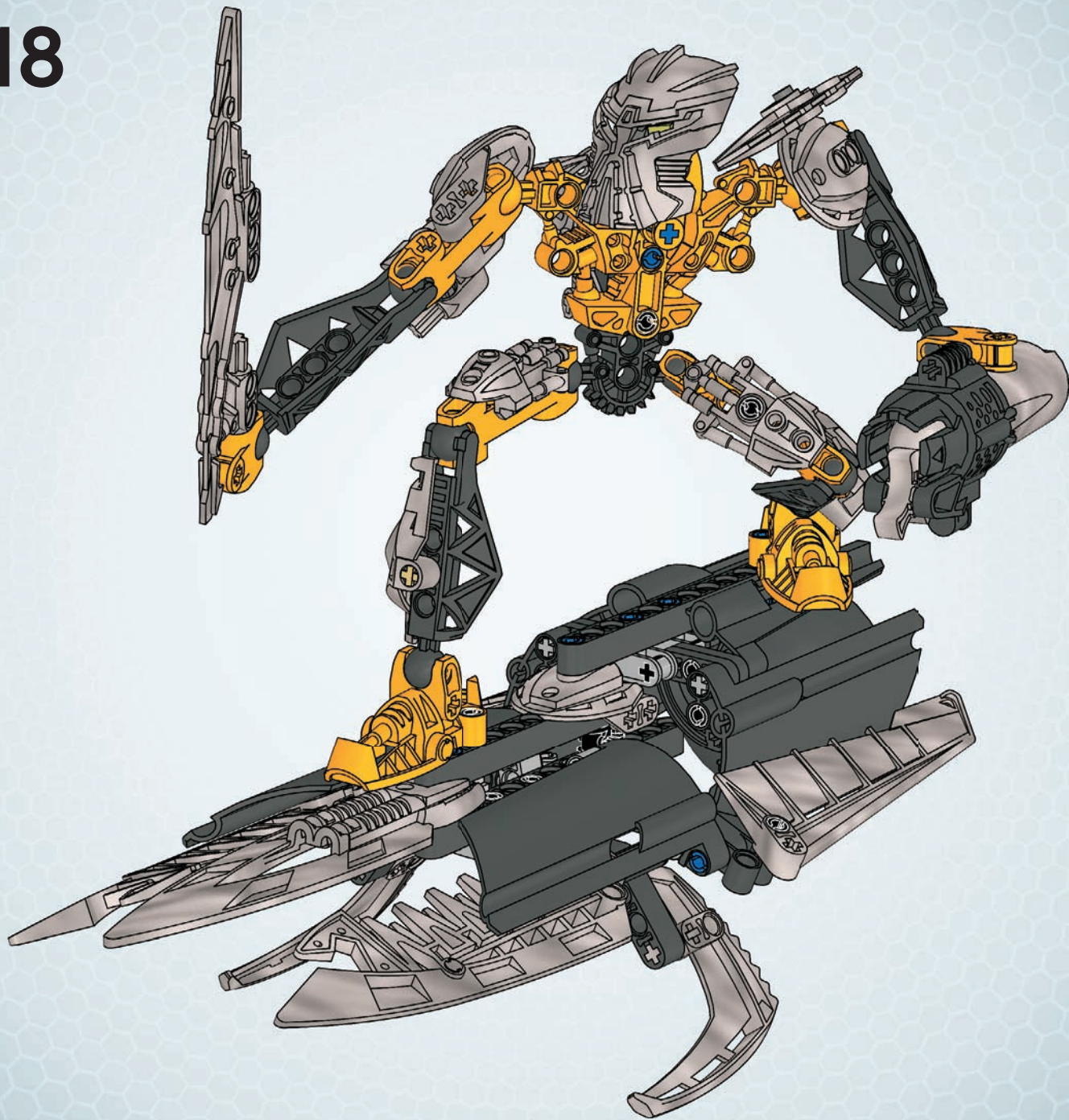




17



18





5x
4519541



3x
4211865



21x
4121715



4x
4512363



1x
4501726

8



4x
4515184



1x
4119589



1x
4173970



1x
4501727

7



2x
4519542



2x
4211622



2x
370526



4x
4505842



2x
4519536



7x
4211815



1x
4278585



1x
4497946



2x
4296203

20



2x
4521191



2x
4225033



2x
4143466



4x
4294582



2x
4296202

21



4x
4211621



1x
4284541



2x
4211655



2x
4128593



1x
4512451



4x
4522933

5x
4142865

4x
4206482

11x
4514553

2x
4186017

4x
4494056

1x
4505191

2x
4211086

1x
4278473

1x
4519533

1x
4519534

1x
4494482

2x
4494481

3x
4504986

2x
4504538

1x
4519273

2x
4497138

2x
4518511

1x
4504534

1x
4497147

2x
4494492

1x
4521177

BIONICLE

START PRODUCTS FUN ZONE DOWNLOADS STORY GALLERY KANOKA CLUB + MESSAGE BOARDS

SEARCH GALLERY

Creation Name

Username

Category

Latest Creations

Featured Creations

Latest Creations

My Creations

Upload Creation

Page: 1234567

KANOKA CLUB

LOG IN TO ENTER YOUR CODES.

Login

The point machine is ready. It's waterproof, squid proof (of course) and it's prepared for anything that may come along this season. It's time to enter the codes from your BIONICLE package.

Club Personal

Use your BIONICLE Kanoka Club points to BIONICLE-ize your LEGO Club personal pages! To get you started, you'll get an old school BIONICLE award on your LEGO personal page. Thanks to all of you who have held on to your codes!

If you're not already a member, go to Login, create a profile (it's FREE and EASY) and start entering codes. Plus, you can find all the classic BIONICLE games like MNOG and VNOG, watch the Piraka and Toa Inika animations and find building instructions for your classic BIONICLE sets.



WWW.BIONICLE.COM

START DOWNLOADS STORY

STORY

The Great Spirit Mata Nui is dying, and only the Mask of Life can save him and the universe. In their quest for the mask, the Toa Inika plunge beneath the waters of a strange sea. There, the amazing powers of the mask transform them into the undersea warriors, the Toa Mahri!

Beneath the waves, they discover the sunken city of Mahri Nui and its Masoran inhabitants. The villagers are caught up in a desperate battle for survival against the mutated Barraki and their armies of sea creatures. Worse — the Barraki have the Mask of Life in their clasp!

BIONICLE

START PRODUCTS FUN ZONE DOWNLOADS STORY GALLERY KANOKA CLUB + MESSAGE BOARDS

BIONICLE MAHRI

MAHRI LOG

Giant air bubbles surround the buildings of Mahri Nui.

START PRODUCTS FUN ZONE DOWNLOADS STORY GALLERY KANOKA CLUB + MESSAGE BOARDS

Screensavers

MP3



8685



8686



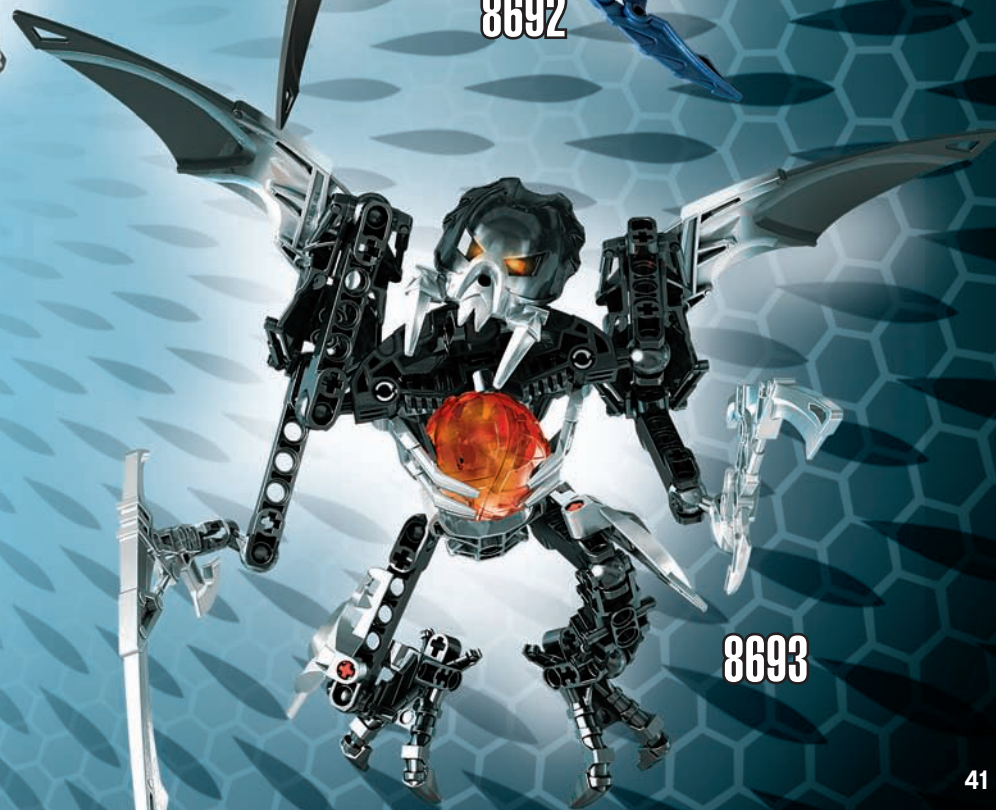
8687



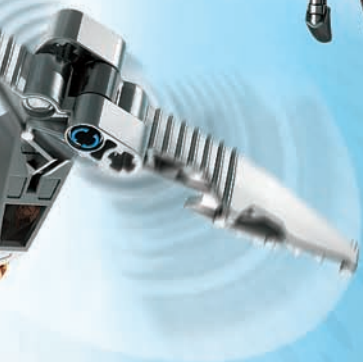
8691



8692



8693





8944

A LEGO Bionicle character, primarily green and black, with a glowing yellow light emanating from its chest. It has a large, silver, serrated blade-like appendage on its right side. The character is shown in a dynamic, floating pose against a blue background with a pattern of dark blue leaves.



8946

A LEGO Bionicle character, primarily orange and black, with a glowing yellow light in its eye. It has a large, silver, serrated blade-like appendage on its right side. The character is shown in a dynamic, floating pose against a blue background with a pattern of dark blue leaves.



8945

A LEGO Bionicle character, primarily white and black, with glowing green eyes. It has a large, silver, serrated blade-like appendage on its right side. The character is shown in a dynamic, floating pose against a blue background with a pattern of dark blue leaves.



8948

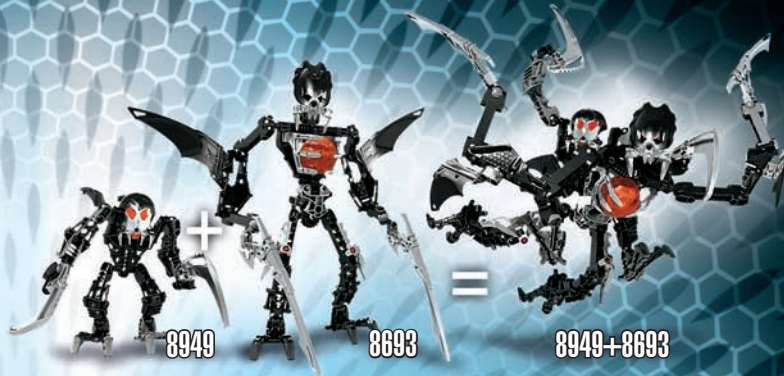


8947



8949





www.acnielsen.aim.dk/LEGO



WIN LEGO® PRODUCTS

No purchase necessary.
Open to residents of all countries where
not prohibited.
Go to www.aim.dk for official rules and details.

WIN LEGO® PRODUCTEN

Kopen niet nodig.
Open voor alle leeftijden, en in alle landen
waar geen verbod geldt.
Ga naar www.aim.dk voor officiële regels en details.

GEWINNE LEGO® PRODUKTE

Die Teilnahme am Gewinnspiel führt zu
keinerlei Kaufverpflichtungen.
Sie können in allen nicht ausgeschlossenen
Ländern teilnehmen.
Die offiziellen Regeln und nähere Informationen
finden Sie unter www.aim.dk.

GAGNE DES PRODUITS LEGO®

Aucun achat n'est nécessaire.
Ouvert à tous les âges et aux résidents de
tous les pays, sauf en cas d'interdiction.
Rendez-vous sur www.aim.dk pour obtenir plus
de détails et le règlement officiel.

レゴ®製品を「当てよう」

購入は不要です
禁止されていない限り、あらゆる
年代およびあらゆる国の居住者の
方々にご利用いただけます。
公認規則および詳細につきましては、
www.aim.dkをご覧ください





club™



FREE LEGO Magazine • GRATUIT • GRATIS LEGO Magazin

Join Today!

**Abonne-toi
dès aujourd'hui !**

Meld je nu aan!

Jetzt anmelden!



BG28



US & Canada only

1-866-534-6258 / 1-877-518-5346

(en Français)



B108U

B108C

00800 5346 5555

www.LEGOclub.com

**VISIT THE WORLD'S
BIGGEST LEGO® SHOP!**

www.LEGOshop.com

PHANTOKA



©2008 The LEGO Group. 4525255

